

Squirt-R

Loop Powered Indicator

Features

- Linear or Square Root Extraction of Input
- 3 1/2 or 4 1/2 Digit Display (Selectable)
- Calibration, High and Low Values Fully Programmable Through Keypad
- NEMA 4X / IP65 Front
- No Dipswitches or Pots to Adjust
- 16 Bit A/D Resolution
- Password Protection of Menu

Description:

Featuring up to 4 1/2 digits of display, the Squirt-R is a loop powered indicator capable of accepting either linear or square root 4-20 mA inputs. Numeric password protection prevents unauthorized access to the menu. The easy-to-read menu prompts make the Squirt-R so easy to program that you will feel comfortable programming it without the use of a manual.

Specifications:

Power:

Loop powered 4-20 mA

Internal Battery (Setup memory storage only):

3 V 250 mA-H Lithium (2 yr. Standby life)

Display:

Display: (selectable decimal)

3.5 or 4.5 Digits (selectable), 0.35" High, Display updates once every two seconds.

Rate Descriptors: /SEC, /MIN, /HR or "blank"

Units Descriptors: GAL, LIT, FT3, M3, "blank"

Low Battery Error Detection: "BAT" descriptor & flashing display

Under/Over range Indication: Display flashes when out of range

Environmental:

OPERATING TEMPERATURE

-4°F (-20°C) to + 158°F (70°C)

Extended Temp: -22°F (-30°C) to + 158°F (70°C)

HUMIDITY

0 - 90% Noncondensing

Listing: CE Compliant

Accuracy: (Indication @ 20°C)

0.1% Full Scale Resolution

Temperature Drift:

50 ppm/°C Typical

200 ppm/°C Worst Case

Lockout:

Password: Unauthorized menu changes can be prevented by entering a user selectable password (5 digit number).

Jumper: An internal jumper shunt is provided for a "sealed" menu lockout. Install the jumper to enable the lock.

Inputs:

Signal Input:

Full Scale Range: 4 to 20 mA DC

Loop Voltage Drop: 6 Volts Maximum

Reverse Polarity Protected

Over Current Protection to 60 mA

16 Bit resolution; 1 sample every 2 seconds

Low Cutoff supplied to inhibit indications at low flow rates.

Calibration & Operation:

Input Scaling: Via front keypad

Calibration: Via front keypad

Decimal Point: Via front keypad

Keypad: 4 tactile feedback keys



Mounting Style 1



Mounting Style 2



Mounting Style 3NE



Mounting Style 3SS



Mounting Style 5



Mounting Style 6

Mounting:

0- Circuit Board-

OEM option (consult factory)

1- Panel Mount -

NEMA 4X Front

2- Wall Mount -

NEMA 4X Enclosure

(keypad mounted behind clear cover)

3NE- Explosion Proof -White, Includes Third Conduit Entry

Class I, Division I, Groups B, C & D

Class II, Division I, Groups E, F & G

3SS- Explosion Proof -Stainless Steel

Class I, Division I, Groups B, C & D

Class II, Division I, Groups E, F & G

5- Wall Mount -

NEMA 4X Enclosure

(keypad mounted on cover)

6- Double Ended Explosion Proof -

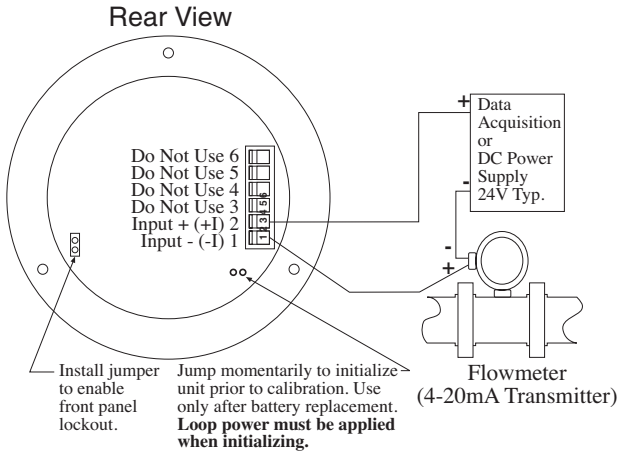
Class I, Division I, Groups B, C & D

Class II, Division I, Groups E, F & G

(contact factory for details)

NOTE: Meter mounting kits available for styles 2, 3, 5 and 6
Consult Factory

Typical Wiring: (2-Wire Transmitter)

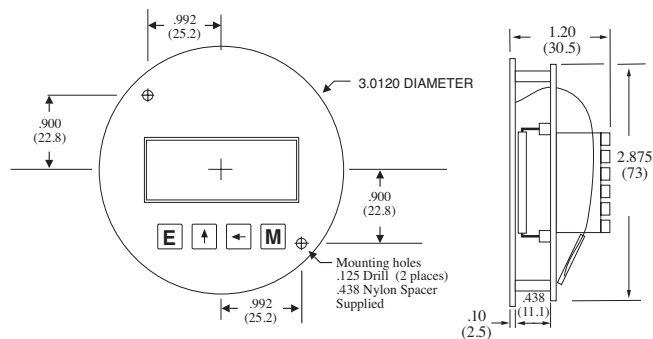


Ordering Information

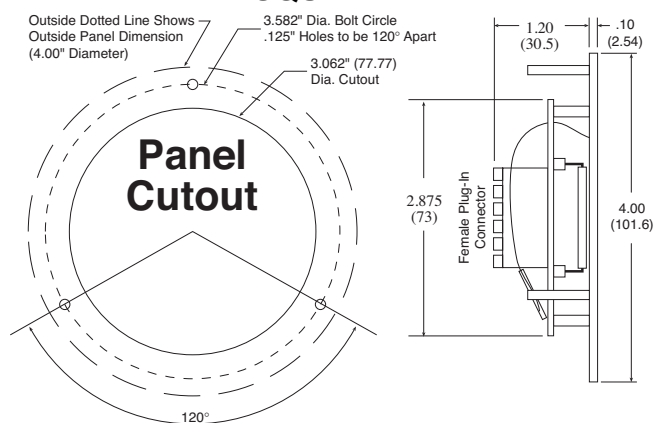
Example:	SQUIRTR	3	ET
SQUIRTR	Loop powered; Rate Only		
Mounting:	0 = OEM 1 = Panel Mount 2 = NEMA 4X Box (Squirt behind clear cover) 3NE = Explosion Proof Housing, White Includes Third Conduit Entry 3SS = Stainless Steel Ex-Proof Housing 5 = NEMA 4X Box (Squirt outside opaque cover) 6 = Double Ended Explosion Proof Housing		
Options:	ET = Extended Temp.: -22°F to 158°F (-30°C to 70°C) ATEXCASE** = European Flame Proof ATEX Case (consult factory) H2 = 0.875" Hole for mounting styles 2 and 5 CG - Cable Grip with Locking Nut used for H2 option HF2 = 1/2" Female NPT Hub fitting (mount styles 2 & 5) H3 = 1.125" Hole for mounting styles 2 and 5 HF3 = 3/4" Female NPT Hub fitting (mount styles 2 & 5)		

** Contact factory for latest information

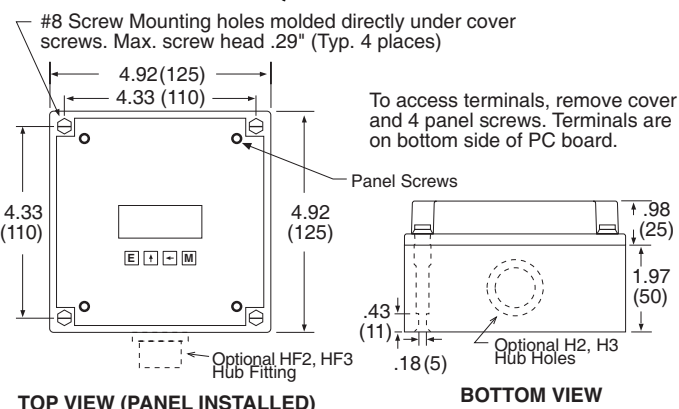
SQUIRTR-0



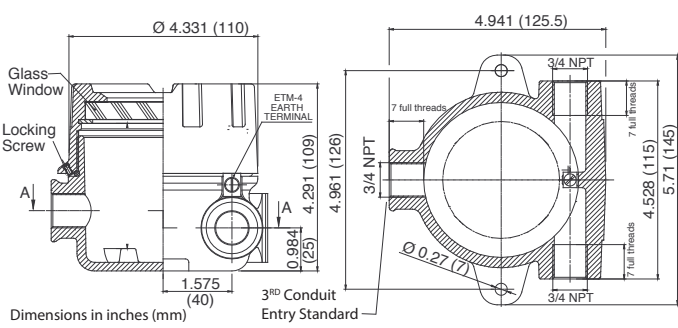
SQUIRTR-1



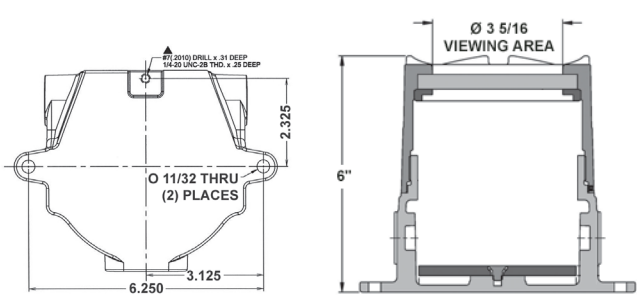
SQUIRTR-2



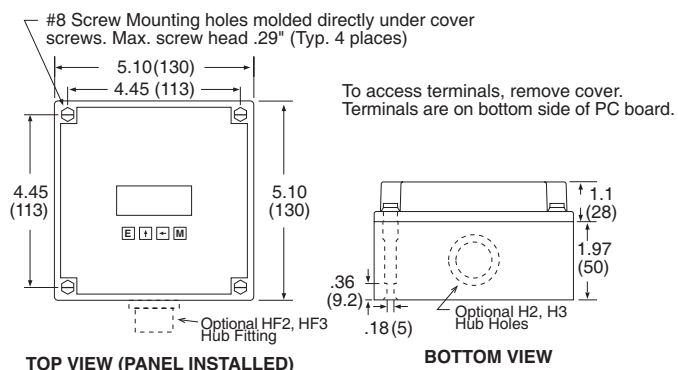
SQUIRTR-3NE



SQUIRTR-3SS



SQUIRTR-5



SQUIRTR-6

