

SQUIRT

Loop Powered Indicator

Features

- Linear or Square Root Extraction of Input
- 3 1/2 or 4 1/2 Digit Rate Display (Selectable)
- 8 Digit Totalizer Display
- Calibration, High and Low Values Fully Programmable Through Keypad
- No Dipswitches or Pots to Adjust
- 16 Bit A/D Resolution
- Isolated Scaled Pulse Output
- Password Protection of Menu and Totalizer
- Flash Storage of Calibration, Setup & Totalizer

Description:

Featuring up to 4 1/2 digits of rate and 8 digits of total, the Squirt is a loop powered indicator capable of accepting either linear or square root 4-20 mA inputs. An isolated scaled pulse output is available for hook up to a remote totalizer. Numeric password protection prevents unauthorized access to menu. The easy-to-read menu prompts make the Squirt so easy to program that you will feel comfortable programming it without the use of a manual.

Specifications:

Power:

Loop powered 4-20 mA

Display:

Rate Display: (selectable decimal)

3.5 or 4.5 Digits (selectable), 0.35" High, Display updates once every two seconds.

Rate Descriptors: /SEC, /MIN, /HR or "blank"
/MIN, /HR, /DAY with "D" option

Totalizer Display: (selectable decimal)

8 Digits (99999999), 0.2" High

Totalizer Descriptors: GAL, LIT, FT3, M3, "blank"
GAL, BBL, MCF, M3, "blank" with "D" option

Under/Over range Indication: Flashing display

Environmental:

OPERATING TEMPERATURE

-4°F (-20°C) to + 158°F (70°C)

Extended Temp: -22°F (-30°C) to + 158°F (70°C)

HUMIDITY

0 - 90% Noncondensing

Accuracy: (Rate @ 20°C)

0.1% Full Scale Resolution, ±1 count

Temperature Drift:

50 ppm/°C Typical

200 ppm/°C Worst Case

Data Storage:

Calibration and Setup Information, Totalizer Stored in flash memory



Mounting Style 1



Mounting Style 2



Mounting Style 3NE



Mounting Style 3SS



Mounting Style 5



Mounting Style 6

Listing: CE Compliant

Inputs:

Signal Input:

Full Scale Range: 4 to 20 mA DC

Loop Voltage Drop: 6 Volts Maximum

Reverse Polarity Protected

Over Current Protection to 60 mA with resettable fuse fault protection

16 Bit resolution; 1 sample every 2 seconds

Low Cutoff supplied to inhibit indications at low flow rates.

Reset Input: (contact closure)

Internal Pullup Resistor: 100 kΩ to +3 VDC

High (logic 1): Open or 3-30 VDC

Low (logic 0): Less Than .5 VDC

Minimum On : 25 msec

Pulse Output:

The pulse output advances with the least significant digit of the totalizer.

Type: Photomos Relay.

Max. voltage (off state): 30 VDC

Current (on state): 5 mA @ .9 V drop, .1mA @ .7 drop

Pulse Duration: Menu selectable: 0.062, 0.125, 0.25, 0.5 sec.

Pulse output divider: User selectable, ÷1, ÷10, ÷100, ÷1000 or off

Calibration & Operation:

Input Scaling: Via front keypad

Calibration: Via front keypad

Decimal Point: Via front keypad

Reset Input: Via front keypad or remote dry contact closure

Keypad: 4 tactile feedback keys

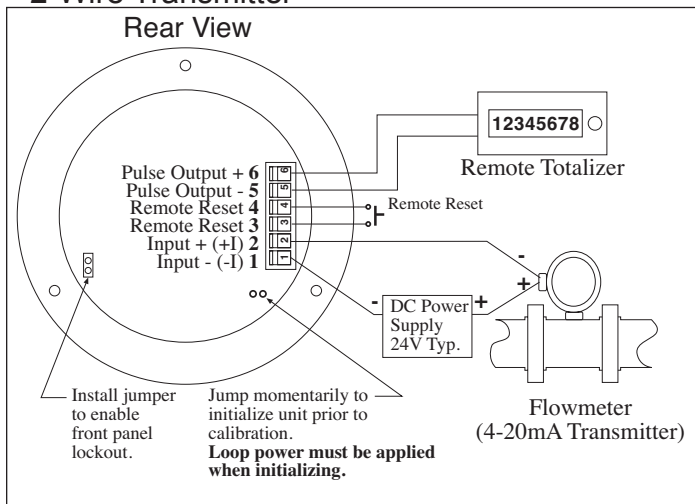
Mounting:

- 0- Circuit Board- OEM option (consult factory)
- 1- Panel Mount - NEMA 4X Front
- 2- Wall Mount - NEMA 4X Enclosure
(keypad mounted behind clear cover)
- 3NE- Explosion Proof -White, Includes Third Conduit Entry
Class I, Division I, Groups B, C & D
Class II, Division I, Groups E, F & G
- 3SS- Explosion Proof -Stainless Steel
Class I, Division I, Groups B, C & D
Class II, Division I, Groups E, F & G
- 5- Wall Mount - NEMA 4X Enclosure
(keypad mounted on cover)
- 6- Double Ended Explosion Proof -
Class I, Division I, Groups B, C & D
Class II, Division I, Groups E, F & G
(contact factory for details)

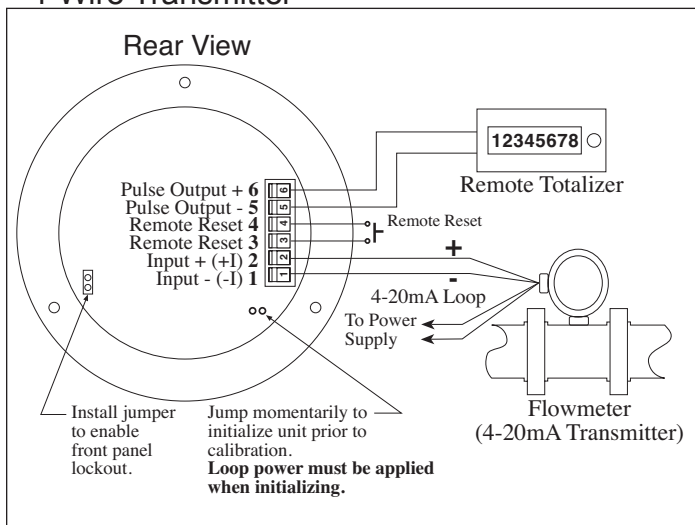
NOTE: Meter mounting kits available for styles 2, 3, 5 and 6
Consult Factory

Wiring:

2-Wire Transmitter



4-Wire Transmitter

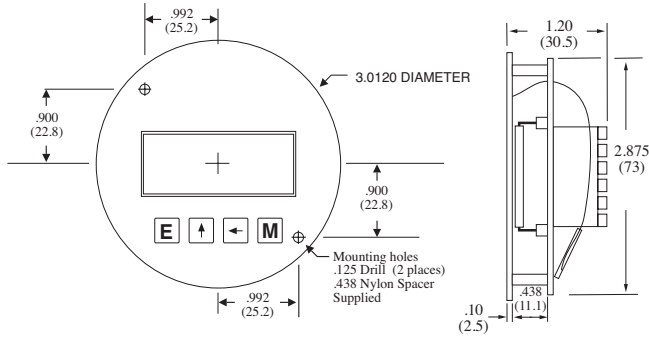


Ordering Information

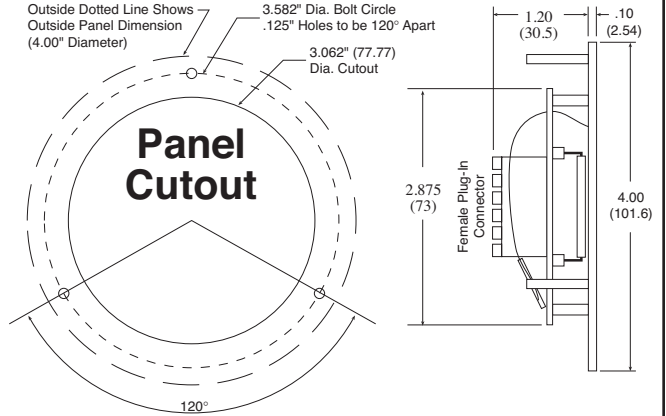
Example:	SQUIRT	3	ET
SQUIRT	_____		
Loop powered; Rate & Total	_____		
Mounting:	_____		
0 = OEM	_____		
1 = Panel Mount	_____		
2 = NEMA 4X Box (Squirt behind clear cover)	_____		
3NE = Explosion Proof Housing, White Includes Third Conduit Entry	_____		
3SS = Stainless Steel Ex-Proof Housing	_____		
5 = NEMA 4X Box (Squirt outside opaque cover)	_____		
6 = Double Ended Explosion Proof Housing	_____		
Options:	_____		
ET = Extended Temp.: -22°F to 158°F (-30°C to 70°C)	_____		
ATEXCASE** = European Flame Proof ATEX Case (consult factory)	_____		
R = External Magnetic Reset for NEMA4X & Explosion Proof Enclosures	_____		
RX = NEMA7 Explosion Proof Reset Switch for Explosion Proof Enclosure with 3/4" straight thread side entry	_____		
H2 = 0.875" Hole for mounting styles 2 and 5	_____		
CG - Cable Grip with Locking Nut used for H2 option	_____		
HF2 = 1/2" Female NPT Hub fitting (mount styles 2 & 5)	_____		
H3 = 1.125" Hole for mounting styles 2 and 5	_____		
HF3 = 3/4" Female NPT Hub fitting (mount styles 2 & 5)	_____		

** Contact factory for latest information

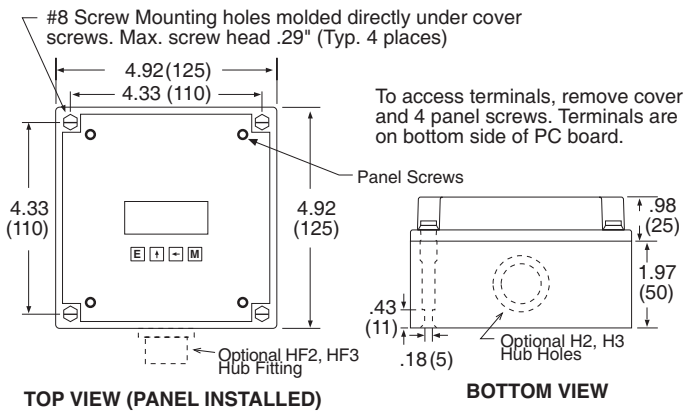
SQUIRT-0



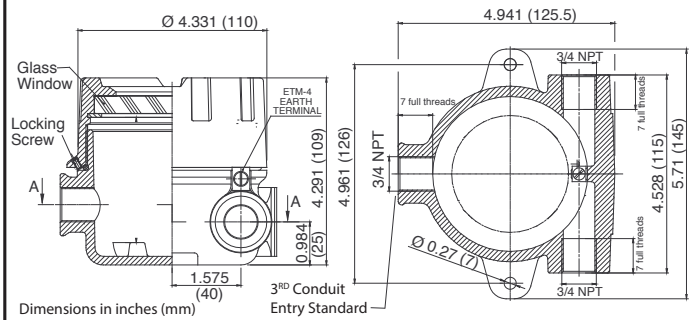
SQUIRT-1



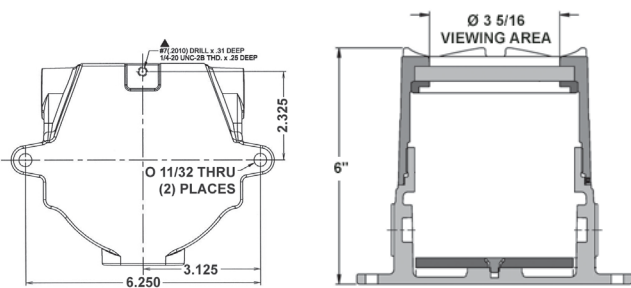
SQUIRT-2



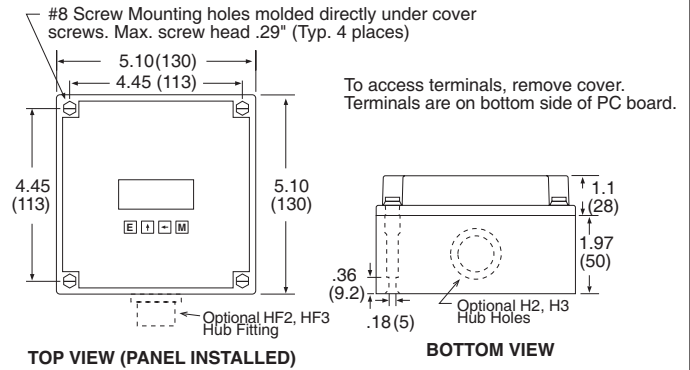
SQUIRT-3NE



SQUIRT-3SS



SQUIRT-5



SQUIRT-6

