

P1000

Desktop / Handheld Serial Printer

Features

- Compact Serial Printer (Dot Matrix) for Field Use
- Uses Standard 2.25" Plain Paper Roll
- 24 or 40 Column Printing
- Standard Epson™ Ribbon
- Internal 2KB Buffer
- RS232 With Selectable Baud Rate
- Will Operate for 2 Hours on Internal Batteries for Hand Held Applications

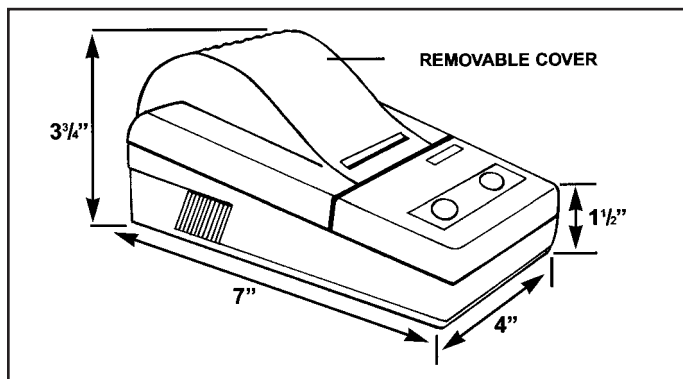
Applications:

- Logging data from KEP instruments
- Remote messages printing
- Plain paper for long lasting record keeping

Description:

The P1000 printer is a top quality, impact dot matrix micro printer. It is small, light weight, and low in cost, but extremely powerful in performance. This model is portable and designed for applications where regular desktop printers are unnecessary and space is limited. The P1000 is ideal for many uses such as logging data from KEP instruments, direct recording measurements from digital hand tools or electronic scales, remote message printing and more. It is an excellent service aid permitting print outs of setup information and helps with troubleshooting problems in the field.

Dimensions:



Ordering Information

EXAMPLE	P1000	1
Series		
P1000 Printer		
Operating Voltage		
1 = 110V AC adaptor		
2 = 230V AC adaptor		
3 = 12V DC power cord		

Accessories

- P1AR = Ink Ribbon
- P1AA230 = 230V Adapter (spare)
- P1AA110 = 110V Adapter (spare)
- P1AC25M9MC = 6', Printer cable for ST1 & ST2
- P1CA25MFL6 = 6' Serial Cable for MS716 or any Flow Computer with RS232 terminal block
- P1AC25M9FC = 6', Printer cable for MRT & INT69
- P1AC25M25MS = 6', Printer cable for all 'trolls
- Other cables available on request



Specifications:

Character Types:

448 defined characters include:
96 standard ASCII characters
Math symbols
Printing symbols
Block graphic characters
32 user defined characters

Print Method:

Impact Dot Matrix

Character:

Standard characters 5x7 dot matrix

compositions:

Block graphic char. 6x8 dot matrix
User definable char. 6x8 dot matrix

Dimension:

7" x 4" x 3.25"

Baud Rate:

Selectable baud rate & parity setting by key combinations (1200,2400,4800,9600)

Print Speed:

40 lines per minute

Control Commands:

35 codes, IBM/EPSON

Input Buffer:

2k bytes (expandable to 4k)

Interface:

RS-232C, 25 pin D-SUB, RS connector

Power:

7.5 volt DC input, max. current 750mA with Internal Battery Pack
110V AC/DC to 7.5V DC adapter supplied.

Paper:

Plain adding machine type paper roll, internal mounting up to 130'x2.25" size roll

Ink Ribbon:

Porelon ERC 09 or equivalent

Options:

220V AC/DC adapter (spare)
12VDC adapter