

# N7 HOUSING

## Explosion Proof Housing for N7 Hazardous Areas

### Use With the Following KEP Models:

MK Series, B Series, BVA Series, MVS Series, KAL-D Series, 520 Series and KAT-SP Series

### Description:

Most KEP series totalizers and Elapsed Timers (less than 3.1" deep) can be factory installed in this explosion proof housing. An optional approved local pushbutton located on the housing provides reset (for units with electric reset) without violation of safety requirements. Electrical reset can also be located at a remote station.

When safe conditions exist, the screw-on cover with its glass window may be removed for field wiring, maintenance or to change preset values.

The housing may be drilled and tapped to customers requirements, up to 2" NPT. Unless otherwise specified, housing is drilled and tapped for 1/2" NPT as illustrated and 3/4" NPSM if reset button is ordered.

### Specifications:

**Rating:** Class I, Groups C & D  
Class II, Groups E, F, G  
Class III

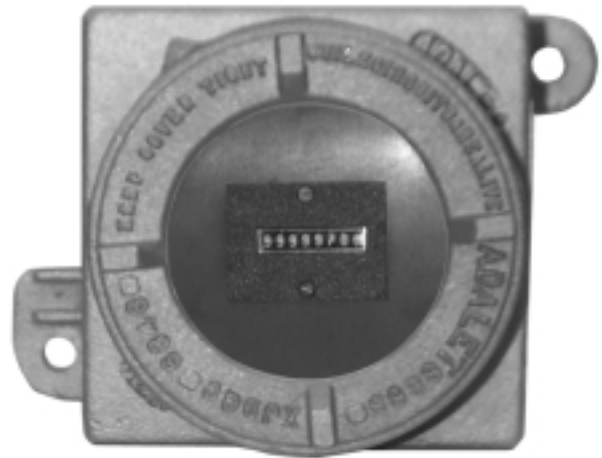
**Max. Depth Behind Panel:** 3.1"

**Max. High Above Panel:** 0.625"

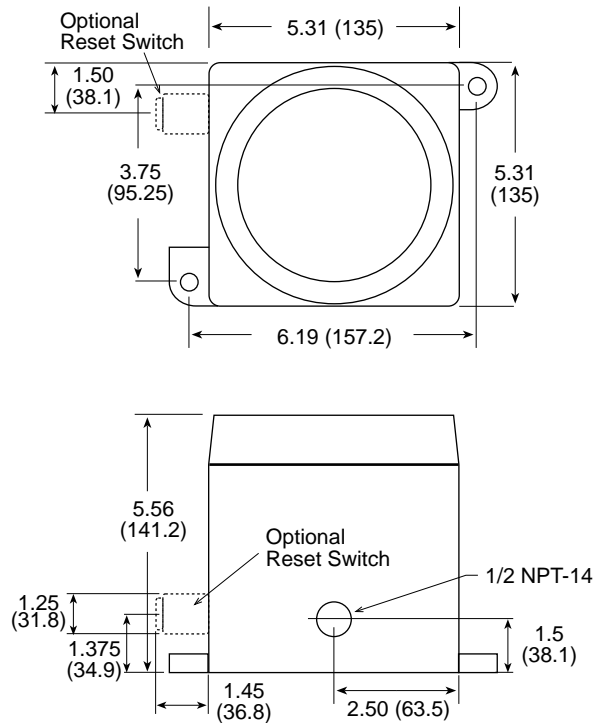
**Weight of Housing:** 6 lb. Max.

### Ordering Examples:

<u>Model Housing</u>	<u>Local Reset Option (R) if used</u>	<u>Counter Catalog Number (Use #1 or Clip Mount)</u>
N7	R	529K.2
N7	R	MK18.10 24VDC 25CPS
N7	R	KAT-SP



### Dimensions:



REPLACEMENT PRODUCTS & ACCESSORIES