

MMI-3000

Industrial PC with 15" TFT Display & Keyboard

Features

- 15" TFT LCD display
- Heavy-duty Stainless Steel Case and NEMA 4/12 Compliant Front Panel
- 700MHz Intel Pentium III CPU
- NEMA 4 Rubber Keyboard
- 45GB Hard Drive, CD-ROM, FDD
- 100 Base T Ethernet
- 128MB RAM, Expandable to 384MB

Introduction

The MMI-3000 Industrial PC is designed for harsh, industrial environments. It is a full function PC-based system with a 15" (1024x 768) color TFT hi-brightness, long-life time LCD display. The MMI-3000 is equipped with a rubber keyboard that meets NEMA 4 requirements.

Specifications

Computer:

TMC Single Board Computer
Chips & Technologies 69000 Video Chipset
4 Serial ports
Parallel port
Socket 370 CPU Socket
700MHz Intel Pentium PIII CPU, upgradable to 800MHz
100 BaseT Ethernet
128MB RAM, expandable to 384MB
45 GB Hard Disk Drive
Kingston Removable HDD Chassis
CD ROM
Floppy Disk Drive
250W Power Supply
Circuit Breaker

Expansion Slots:

Three PCI and one ISA (Full length)

Case:

304 Stainless Steel
Grade 4 Finish. No welds are visible.
NEMA 12 (Face of unit is NEMA 4, but there are louvered vents on the sides).
Approximate Dimensions in inches: 23H x 20W x 20.3D



Keyboard:

NEMA 4 Rubber Keyboard with Pointing Device

Display:

15" High Brightness TFT Display
1024 X 768 Resolution
Scaling Allows Full-Screen Display at Lower Resolutions
ELO Touchscreen

Testing Standards:

CE
FCC Class A

Operating Specifications

Operating Temperature: 0 to 50 degrees C
Storage Temperature: -10 to 0 degrees C
Relative Humidity: 10 to 90%, non-condensing
Input Voltage: 115 or 230Vac (switch selectable), +- 10%

Mounting:

Pedestal Mount Standard.
Wall and Top Mounting Options Available.

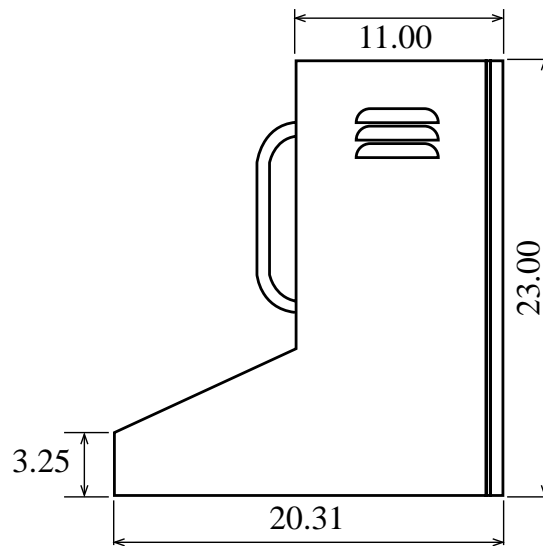
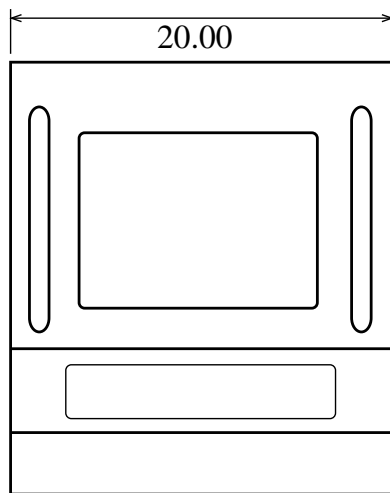
Cooling:

One 85CFM Exhaust Fan
Louvered Vent on Each Side of Enclosure.
CPU Fan
85CFM Fan on Card Cage



The MMI-3000 features a hinged back panel which allows easy access to the interior for quick upgrades and maintenance.

Dimensions:



Flow Instruments
FACTORY AUTOMATION

Ordering Information:

Part Number	Description
MMI-3000	MMI-3000 Industrial Computer Includes: 700MHz Intel Pentium PIII CPU, 128MB RAM, 4 Serial ports, Parallel port, 100 BaseT Ethernet, 45 GB Hard Disk Drive, Kingston Removable HDD Chassis, CD ROM, Floppy Disk Drive, 250W Power Supply