

MICRO-KAL

Miniature, LCD, Self Powered Electronic Totalizer

Features

- Self Powered (3.5 years)
- 6 Digits, 0.24" (6mm) Character Height
- High Contrast LCD Display
- Simple to Install
- Integral De-bounce Circuitry



Applications:

- Applications where no power is available
- Amusement machines
- Portable equipment
- Dispensing machines
- Luggage lockers
- Copiers and printers
- Ticket machines
- Utility meters

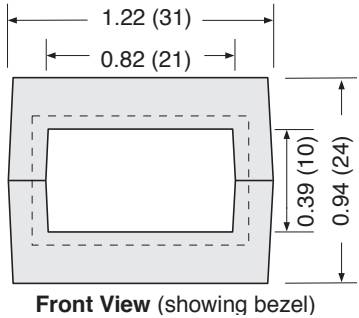
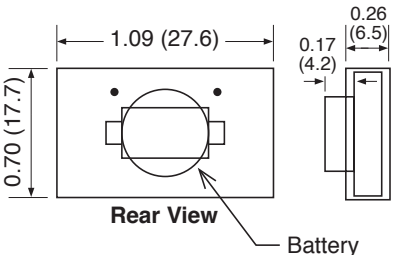
Description:

The Micro-KAL6 features flying leads for remote contact closure input. The Micro-KAL6 increments the count when the contact is open. It may be panel mounted with the optional bezels supplied.

Specifications:

- Supply Voltage:** 1.5V button cell type 386 or SR43.
- Expected battery life:** 3-4 years at 68° F (20° C).
- Display:** 6 digit black LCD, .24" (6mm) characters.
- Count range:** 999999 display rollover to 0.
- Count input:** 18 Hz maximum, contact closure. Operates on contact opening.
- Reset:** Reset to zero on insertion of battery.
- Operating temperature:** 32° to 122° F (0° C to +50° C).
- Storage temperature:** 32° to 140° F (0° C to +60° C).
- Material:** Clear poly-carbonate, black ABS bezel.
- Environmental protection:** IP40/DIN40050.
- Weight:** 0.26 ounces (7.5 grams).
- Lead length:** 9.45" (240mm).
- Approvals:** CE Compliant

Dimensions:



How To Order:

Micro-KAL6 Totalizer with flying leads