

KE 610, 710

6 or 7 Digit Counter, Non Reset

Features

- Low Cost, Large Quantity Discounts
- Patented High Performance Mechanism
- UL & CSA Approved (KE610)
- Rugged Plastic Package
- Many Voltage Ranges Available
- Long Life



Applications:

The compact design and various mounting styles of the KE610 and KE710 make them the ideal counters for almost all counting applications. These electro-mechanical counters will not lose their count during power failures or from electrical noise. The KE610 and KE710 are used in:

- MAIL EQUIPMENT
- PHOTO MACHINES
- VENDING MACHINES
- GAMING MACHINES
- ELEVATORS
- COPY MACHINES
- TICKET MACHINES

Description:

The KE Series incorporates the latest manufacturing technology together with a patented basic design to achieve high performance over a wide temperature range with low power consumption. These counters can be mounted by 2 front flange styles, base flange, behind the panel (front mount), or rear screws. The KE610 has UL/CSA approvals and can operate over a wide voltage range of DC or AC power.

Specifications:

Digits: 6 or 7

Digit Size:

KE610 : 0.160" white on black. Colors available. Special 0-5-0-5 available.

KE710: 0.150" white on black

Operating Voltage $\pm 10\%$:

DC: 4.5, 6, 12, 24, 48, 115 (2W)

AC: 24, 48, 120, 230 (5VA)

Reset: None

Count Speed: 10 CPS, standard. 50/50 ratio on/off.

Max. On Time: Infinite

Temperature: Storage: 14°F to 122°F (-10°C to +50°C).

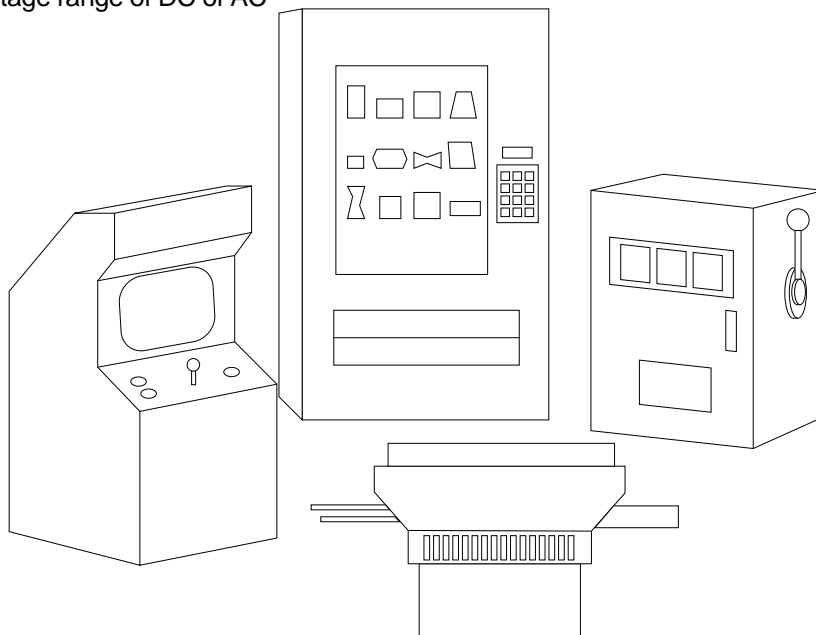
Operating: 23°F to 104°F (-5°C to +40°C).

Approvals: (KE610) UL# E60420, CSA# LR 91109-4

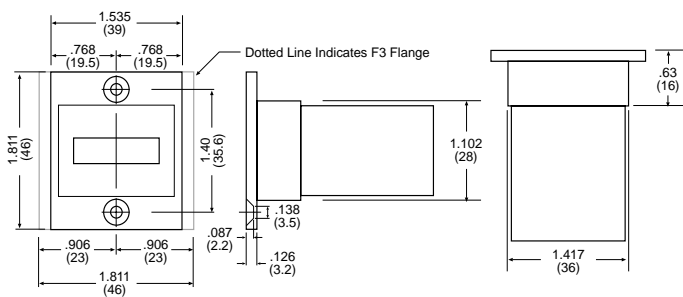
Termination: UL/CSA wire leads, 10" long, standard.

Specials: Many specials available. Consult factory.

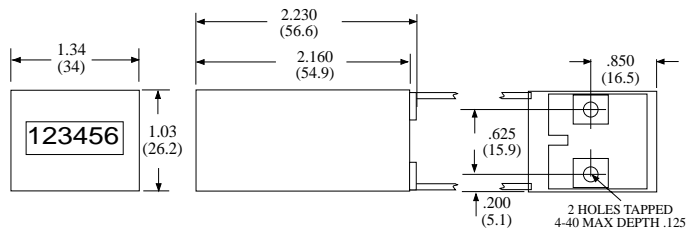
Weight: 4 oz. (113 g.)



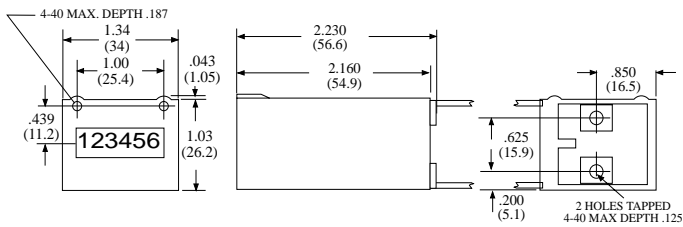
FL & F3 Flange Mount



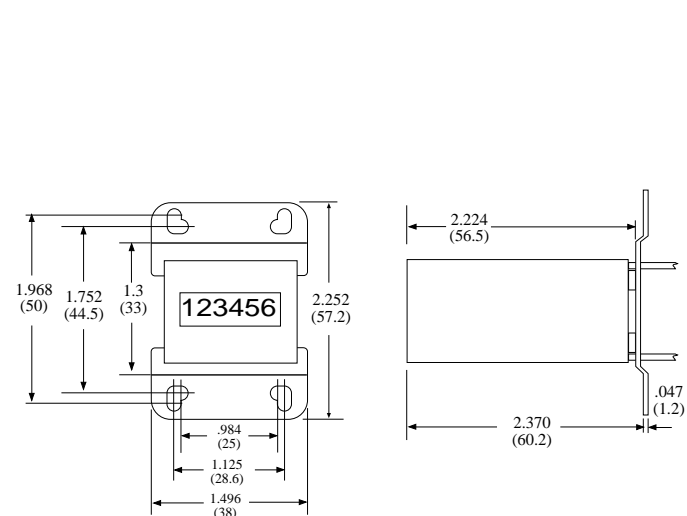
R Rear Mount



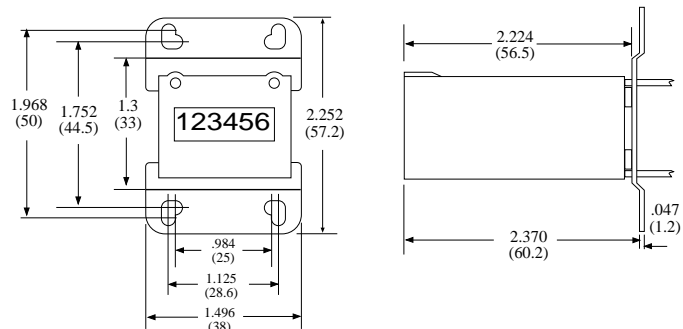
F Front Mount



B Base Mount



FB Front & Base Mount



How To Order

EXAMPLE: KE 610 A FB 10 DC 12

Series	A	FB	10	DC	12
KE610 = 6 Digit					
KE710 = 7 Digit					
Special Features					
(Omit if no special feature desired)					
A = Add Diode Suppression (DC only)					
.01 = Coin, 2 wheels red on black					
.05 = Coin, 2 wheels red on black (steps 05, 10, 15 ...)					
Mounting					
FL = Flange Mount 1.535" x 1.811"					
F3 = Flange Mount 1.811" x 1.811"					
F = Front					
FB = Front & Base					
R = Rear Mount					
B = Base Mount					
Count Speed					
10 = 10 CPS (Standard)					
Operating Voltage					
AC					
DC					
Voltage Level					
DC: 4.5, 6, 12, 24, 48, 110					
AC: 24, 48, 120, 240					