

Intellect-69PM2

Process Monitor with Analog Inputs

Features

- Analog Input 0-20 mA, 4-20 mA
0-5V, 0-10V or 1-5V
- Display Rate, Pressure, Level, Temperature,
Watts, etc., Peak & Valley
- Calibration, High and Low Values (-9999 to
49999) Fully Programmable Through Keypad
- NEMA 4X / IP65 Front
- +24V Output for Peripherals
- 16 Bit A/D Resolution
- 2 Form C SPDT Relays (optional)
- 2 Levels of Operator Password Lockout

Application:

Any process monitoring application where two set points and scaling are needed.

Description:

Featuring 4^{1/2} digits of bright, 7-segment LED displays, the Intellect-69PM2 is a process monitor which accepts analog signal inputs. The unit can be field programmed to accept 0-20mA, 4-20mA, 0-5V, 0-10V or 1-5V signals. Two assignable set points are standard for high/low alarm outputs. The high and low scaling settings (-9999 to 49999) are programmable from the front panel. By pressing the "view" button, the unit will display: process reading, peak or valley. Press the lock button once to freeze the display, press it again to resume normal operation. Press the lock button 4 times quickly to enter lock code for panel lockout. RS-232, RS-422 and 4-20mA analog out are available options for interfacing to a host computer or strip chart recorder.

Specifications:

Display:

4^{1/2} digit, .55" high, 7 segment, red orange, LED.

Input Power: 110, 220 VAC ± 15% or 12 to 24VDC.

Current: 300 max. mA DC or 10.0 VA (10W) at rated AC voltage.

Output Power:

(AC powered units only) + 24VDC @ 50mA regulated ±5%. (100 mA available on request)

Temperature:

Operating: +32°F (0°C) to +130°F (+54°C).

Storage: -40°F (-40°C) to +200°F (93°C).

Memory: EEPROM stores data for ten years if power is lost.



Reset:

Front Panel: resets displayed value and control outputs.

Control Outputs:

Standard: Open collector sinks 250mA from 30VDC when active.

Optional: 2 each Form C SPDT 10 Amp @ 120/240 VAC or 28 VDC.

Input: Linear 0-20mA, 4-20mA, 0-5V, 0-10V or 1-5V selectable from the front panel.

Calibration: The unit does all of the calibrations internally. There are no potentiometers to adjust and the unit never needs to be removed from the case or panel.

Set Points: Two control set points are provided. The unit comes standard with two open collector control outputs. Two 10 Amp, Form C relays are optional. The outputs have a programmable alarm range from -9999 to 49999 with hysteresis.

Process Display: Updates 4 times per second, Accurate to 4.5 digits.

Programming: Decimal points, Scaling from -9999 to 49999, set points, input type and security lock code are all programmable from the front panel.

Housing: Standard 1/8 DIN, high impact ABS plastic case (NEMA 4X/IP65 front panel).

Shipping Weight: 2 lbs.

Overvoltage Protection: 50 V

Over-current Protection: 50 mA

Temperature Stability: Will not drift more than 10 parts per million per °C from 0°C to 54°C

Accuracy: .1% (5 V inputs .16%)

Listing: CE Compliant, CSA (File No. LR91109), NRTL/C pending

Typical Hookups:

2-Wire 4-20mA Transmitter

Temperature/Pressure (4-20mA Transmitter)

3-Wire 0-10V Transmitter

Flowmeter (0-10 V Transmitter)

2-Wire 4-20mA Transmitter with Analog Output

Flowmeter (4-20mA Transmitter)

Relay Output

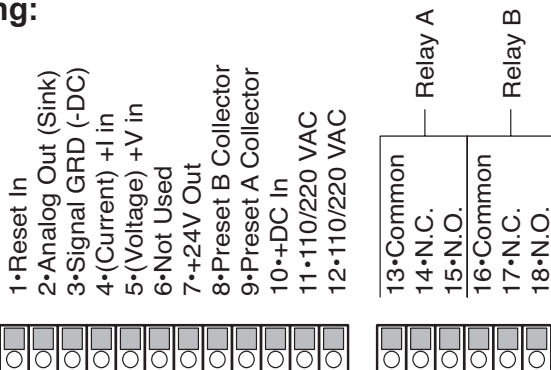
AC Supply

Relay A

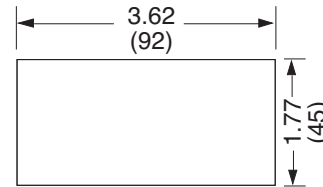
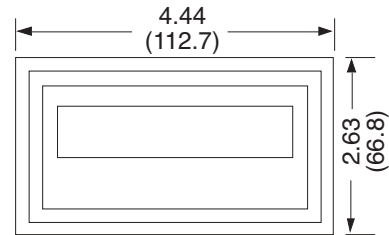
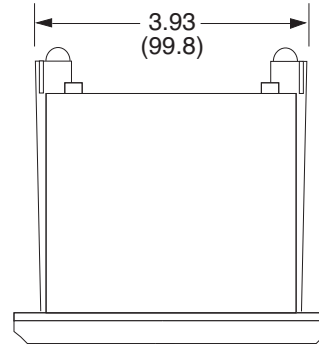
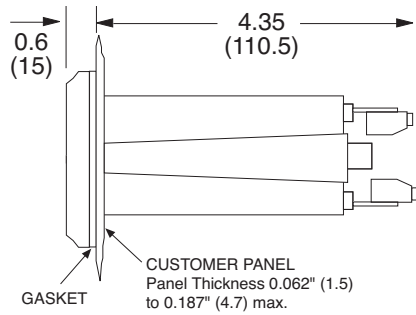
Relay B

DC Supply

Wiring:



DIMENSIONS:



Ordering Information

EXAMPLE: INT69PM2 A 1 A

Series _____
 INT69PM2= Process Monitor

Operating Voltage _____
 A= 110 VAC ± 15% or 12 to 24 VDC
 B= 220 VAC ± 15% or 12 to 24 VDC

Control outputs _____
 1= 2 - Open Collector Outputs
 2= 2 - 10 Amp Form C Relays

Options (multiple options available) _____
 A= Analog Output (4-20mA)
 C1= RS232 Communications
 C2= RS422 Communications
 CSA: CSA Approved Unit

Accessories
 Separate non keyboard panel order #34235
 Separate keyboard panel - order #34234
 Serial printer available, see P1000, P295
 Ethernet Port Server available, see IEPS
 RS-422/485 to RS-232 Communication Adaptor available, see CA285
 XHV Explosion Proof Housing (see Accessories)
 NEMA4 wall mount enclosure available see LCN4X & MS821