

E200

Outdoor Enclosures For Units in 1/32 DIN Cases

Features

- Low Cost
- Compatible with all Standard 1/32 DIN Products
- NEMA 3R (raintight) Enclosure
- Quick-Release Latches with Security Lock Provision
- Light Weight

E200 Plastic Outdoor Enclosure

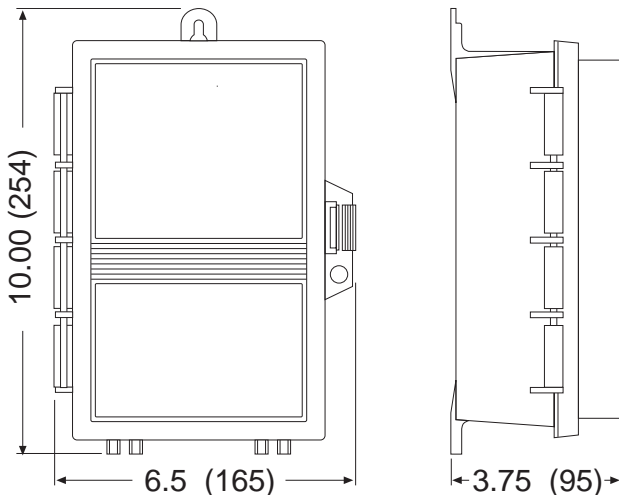
The E200 is a Plastic NEMA 3R raintight enclosure with hinged door and latch. It offers provisions for mounting up to four of ANY KEP 1/32 DIN sized units. The E200 also offers five combination 1/2"-3/4" knockouts: In bottom, sides and back for easy wiring and conduit connections. Exterior Size: 6.5" x 10" x 3.75" deep. Interior Size: 4.75" x 7.75" x 3" deep. Dark grey plastic finish.



Compatible with all Standard 1/32 DIN Products Including:

- KAL D Series
- KAL D Time Series
- 130K - 136K Series
- 520K - 530K Series

Dimensions:



Ordering Information

Part Number	Description
E200-0	E200 Enclosure with no cutout
E200-1	E200 Enclosure with 1 cutout
E200-2	E200 Enclosure with 2 cutouts
E200-3	E200 Enclosure with 3 cutouts
E200-4	E200 Enclosure with 4 cutouts