

# BVA

## Electro-Mechanical Preset Counters

### Features

- 5 Large Digits
- Visible Setpoint Number
- Counts Up With Output at Preset
- 5 Amp, Form C Switch
- Many Voltages Available
- Rugged Case (50 x 50 mm)



### Applications:

For counting and controlling industrial processes and production quantities. Offers high noise immunity while displaying number of items and preset number even if power is lost.

### Description:

The BVA is a 5 digit preset counter loaded with features never before offered. The BVA has 2 registers. One shows the set point continuously. The other totalizes the incoming pulses. At coincidence, a 5 Amp form C relay transfers. The totalizer meanwhile continues adding any incoming pulses to the total providing an accurate tally of overrun. One hand sets the BVA. Simply push the conveniently located set buttons and change the preset register. All standard voltages are available in a 50 x 50 mm rugged plastic case.

### Specifications:

**Digits:** 5 digits, 0.195" high.

**Preset Register:** yellow numbers on black.

**Totalizing Register:** white numbers on black.

**Termination:** Push on connectors (supplied). Wire leads optional.

### Voltages:

6,12, 24, 48, 110DC  $\pm 10\%$

24, 48, 110, 220AC.  $\pm 15\%$

**Switching:** Form C contacts transfer after the total count reaches the final half step of the preset number. Switch remains transferred until reset. Totalizing may continue without effect.

**AC Load Max:** 250VAC = 5 Amps

**DC Load Max:** 24VDC = 2 Amps

60VDC = .7 Amps

110VDC = .4 Amps

220VDC = .2 Amps

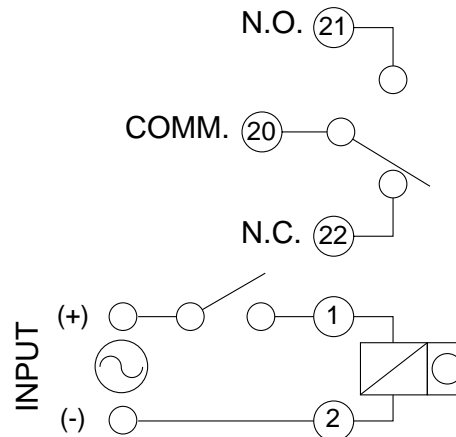
Arc suppression recommended for inductive loads.

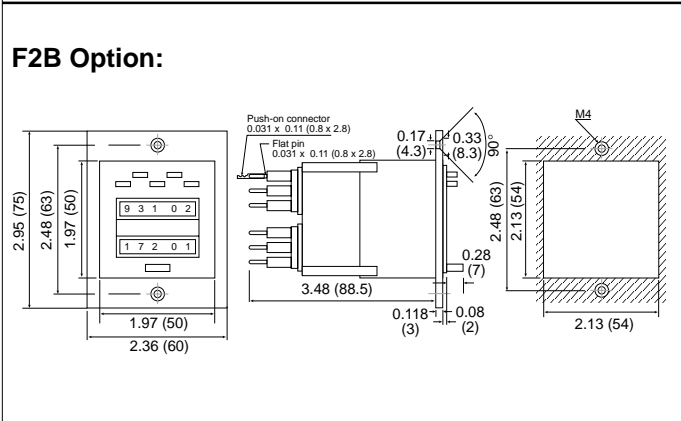
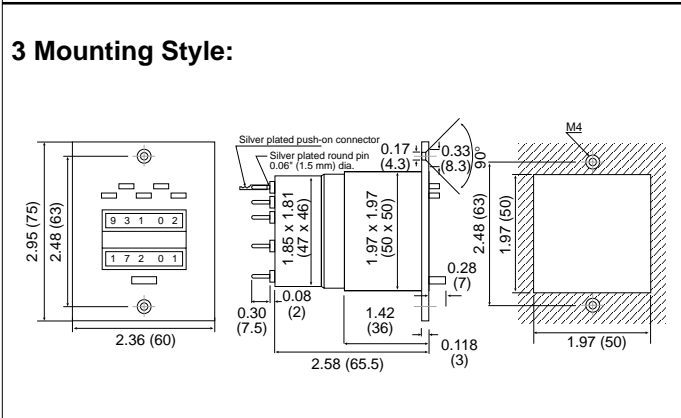
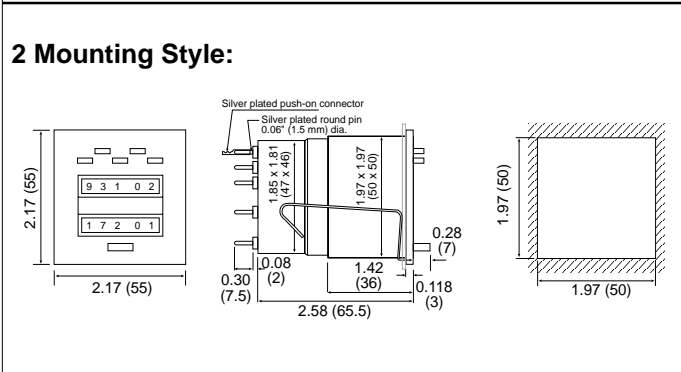
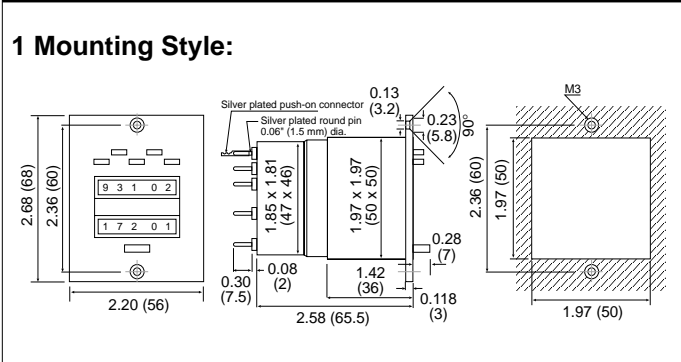
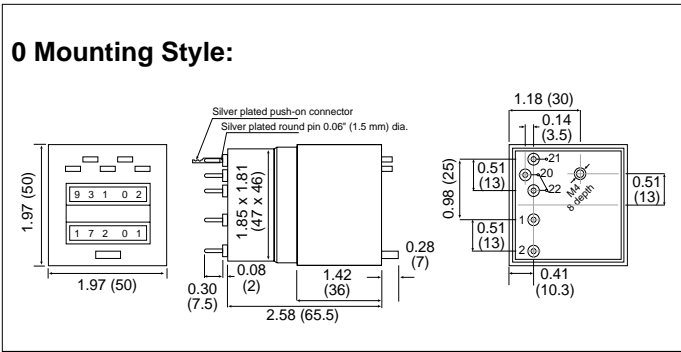
**Temperature:** - 10 ° to 60 ° (+14 °F to 140°F) standard.

### COUNT INPUTS Counting Mechanism

Voltage	Max. cps	Min. pulse duration	Min. pulse interval	Pulse ratio	On time	Power consmp.
DC	10/s	60 ms	40 ms	3:2	100%	1.6W
	25/s	24ms	16ms	3:2	100%	3W
	40/s	15ms	10ms	3:2	60%	5.5W
AC	10/s	50.0ms	50.0ms	1:1	100%	2.2VA
	18/s	27.7ms	27.7ms	1:1	100%	3.0VA

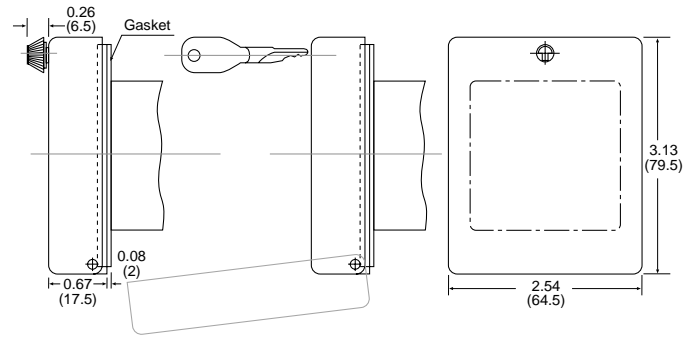
### Wiring Diagram:



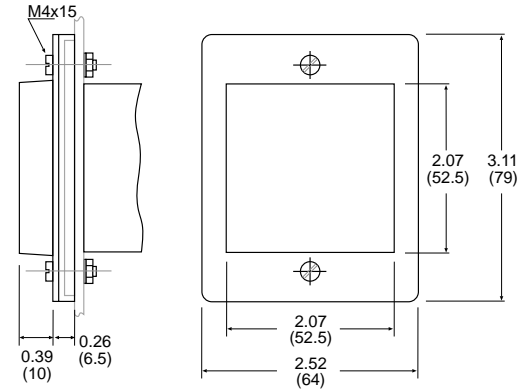


**F2DV Option:**

**F2DVS Option:**

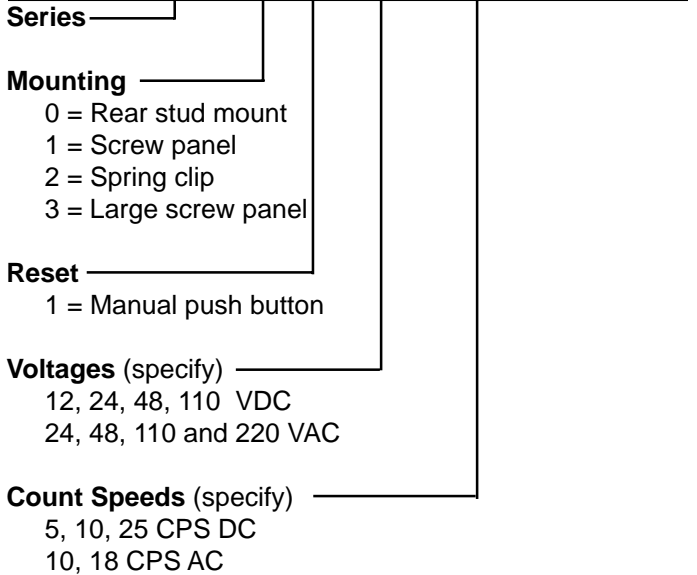


**K2 Option:**



**How To Order:**

**EXAMPLE: BVA15 1 1 24VDC 25CPS**



**Available Options (add to end of part number)**

- K2 - Silicon cover
- F2 - Frame w/ Socket Box
- F2DVS - Frame w/ locking cover & Socket Box
- F2DV - Frame w/ knob cover & Socket Box
- US - Key reset
- DVS - Locking cover without Frame
- DV - Knob cover without Frame
- N7 - Explosion proof housing (see accessories section)
- 50 CPS (DC only)