

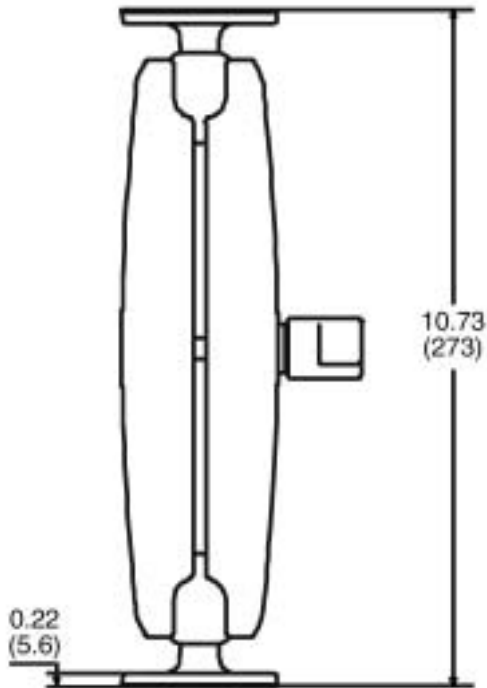
## MMI-7xx-CASE-ARM Accessory

Here's a practical and convenient mounting solution for your MMI-720 & MMI-750 graphical touchscreens. A NEMA 4 Enclosure & Mounting Arm offers washdown resistance and positioning flexibility, and improves operator utilization.

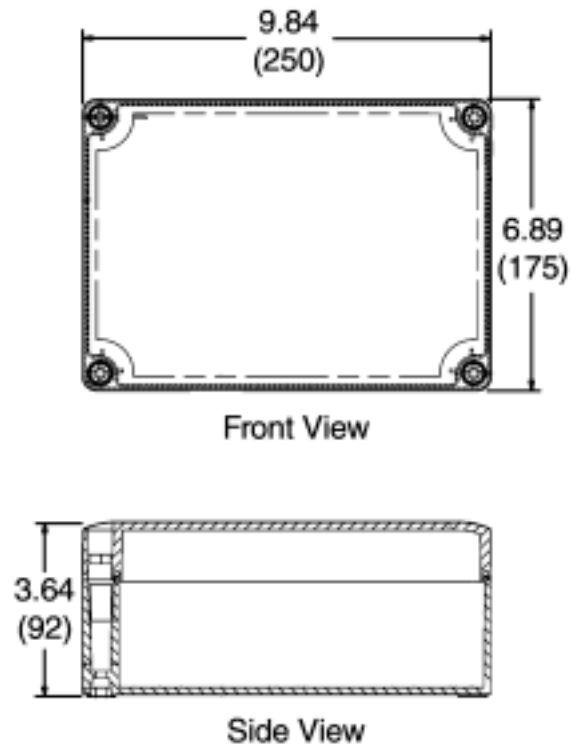
This Option is available for MMI-720 and MMI-750 models



### Arm Dimensions:



### Enclosure Dimensions:



### ORDERING INFORMATION:

Part Number	Description
MMI-720	Graphic Interface with 5.7" blue, 4 grey scale, LCD display and Touchscreen
MMI-750	Graphic Interface with 5.7" STN, 256 color, LCD display and Touchscreen
MMI-750T	Graphic Interface with 5.7" TFT, 256 color display & touchscreen

#### Options:

**HB** Enhanced display for daylight viewing (MMI750T only)

#### Accessories

**MMI-7xx-CASE-ARM** Mounting Option

**MMI-PDK** includes printed manual, programming cable and setup CD.

**Note:** Setup software and programming cable are included with each unit. The manual is on the CD as a PDF file. A printed copy of the manual is sent with each MMI-TS product order.