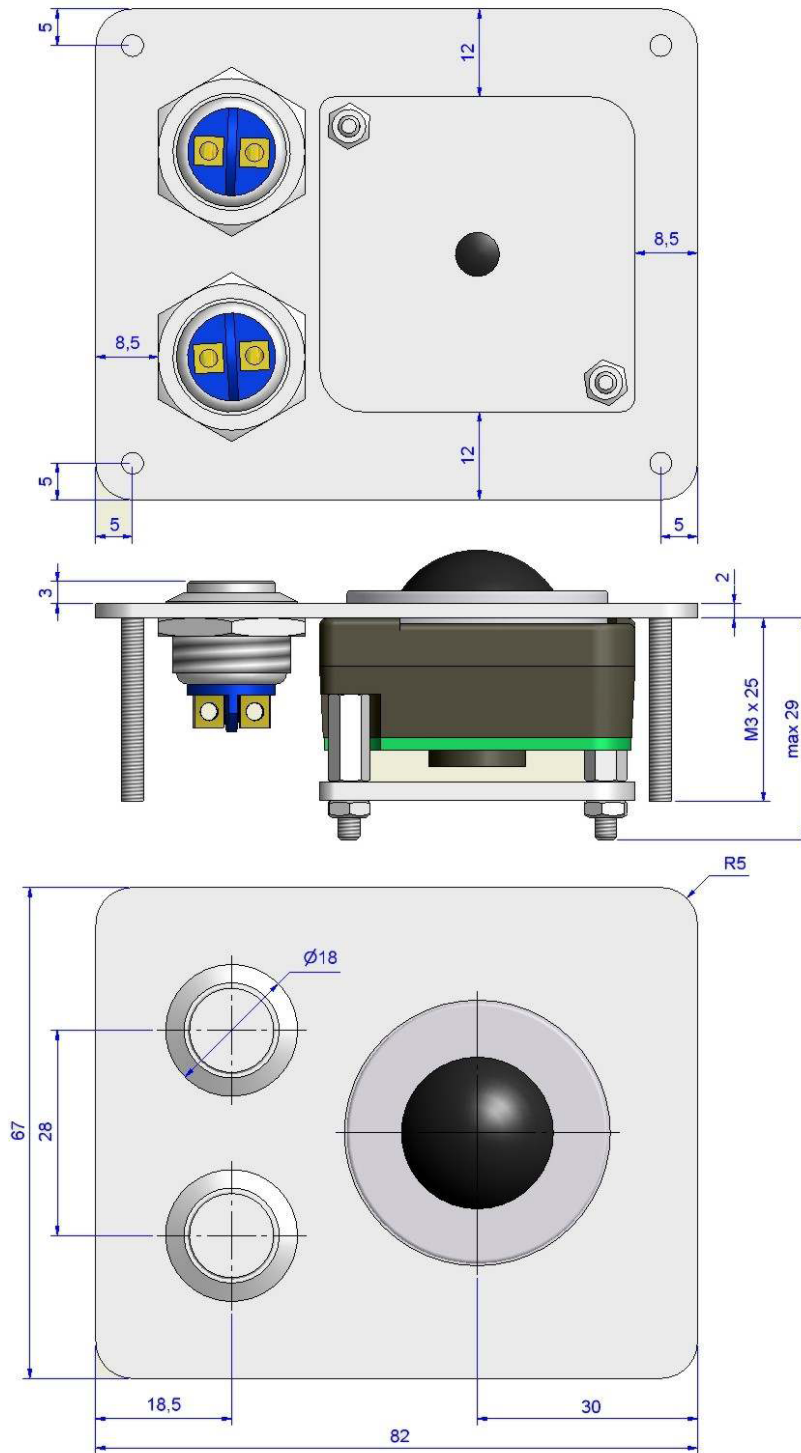


• DIMENSIONAL DRAWING



The company reserves the right to alter without prior knowledge the specification or design of any standard product or service.

Dim in mm

Kessler-Ellis Products

10 Industrial Way East, Eatontown, NJ 07724
 Phone: (732) 935-1320 • (800) 631-2165
 Fax: (732) 935-9344

Visit Us On The World Wide Web

kep.com
<http://www.kep.com>