

# RFZ060700

## 8" / 7" Panel Cutout Adapter Plate

### Features

- Used for retrofitting an MMI8070H HMI into an MMI850x panel cutout

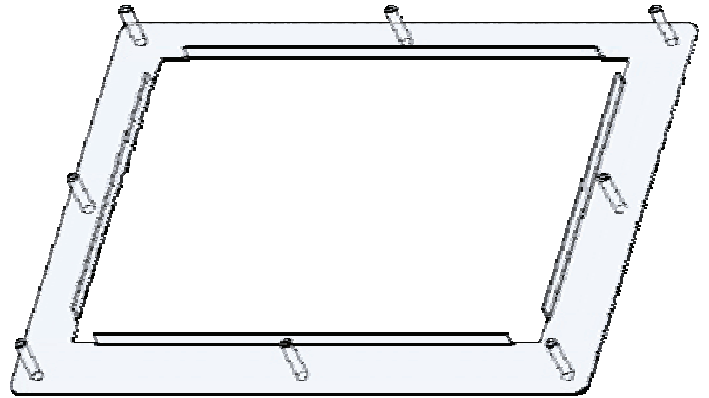
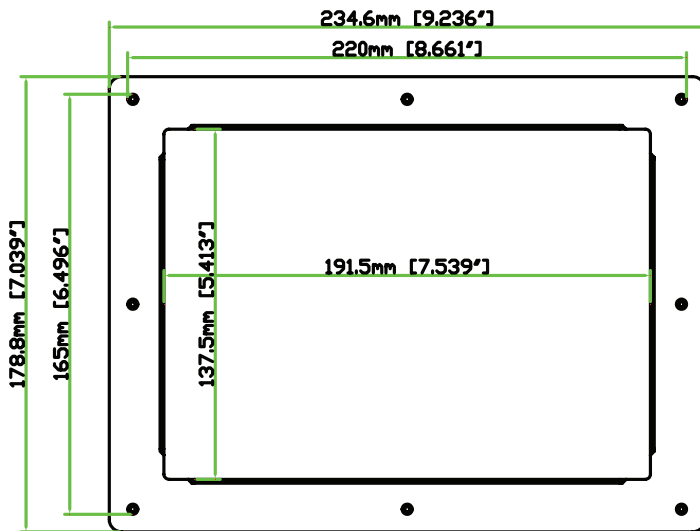
### Introduction

This adapter plate is an optional conversion kit for retrofitting an MMI8070H into an MMI850x panel cutout.

### Specifications

**Material:** 1.6 mm Steel  
**Color:** Black  
**Dimensions:** (WxH): 234.6 x 178.8 mm  
**Weight:** 0.25 KG

### Dimensions



### Ordering Information



P/N: RFZ060700

Includes:

1. Panel Cutout Adapter Plate x 1 PC
2. (2) M4 Nut x 8 PCS

# KEP

**Kessler-Ellis Products, Co.**

10 Industrial Way East • Eatontown, NJ 07724

Phone: (732) 935-1320 or (800) 631-2165

Fax: (732) 935-9344

**kep.com**

<http://www.kep.com>