

PMi190S

Panel Mount Impact Receipt Printer

Features

- Impact Dot Printing
- Paper Low Sensor
- 24 Columns
- Graphics
- Time & Date Stamp
- Compact Size
- Uses ERC09 or ERC22 Ribbon
- Uses PP225-80 Paper Roll

Description:

Available in 24 columns, the PMi190S is a compact, versatile and reliable panel mount printer perfect for a wide range of requirements. The PMi190S printer is a perfect companion for our flow computers and batch controllers and they are ideal for systems that require transaction printing.

SIZE

Dimensions (WxDxH) 126 x 126 x 40 mm
Panel Cutout 110 x 110
Weight 448g

GENERAL

Model PMi190S
Print Method Impact Printing
Print Direction Shuttle Type Head
No. Of Columns 24
Printing Width 240 dots
Print Speed 1.5 lines per second
Character Size 5x7 dots
Line Spacing 3 dots
Ink Ribbon ERC-09, ERC-22 Long Life Purple or Black

POWER SUPPLY

Power Requirement Standard: 12 or 24 VDC (10 to 28 VDC)
Optional: 5.0 VDC (5 to 7 VDC)
Power Consumption 24 VDC: 0.25A; 5.0 VDC: 2.5A; 12 VDC: 0.5 A

COMMUNICATION

Interface RS232 Serial
Data Buffer 4 KB

PAPER

Paper Type Roll Paper (Plain)
Width 2.25"
Diameter 2.25"
No. Of Copies 2
Thickness 0.085 mm
Loading Auto Paper Loading
Feed Method Friction or Sprocket

ENVIRONMENTAL

Operating Condition 0 to 50°C, 10 to 85% RH
Storage Condition minus 25 to 60°C, 5 to 90% RH

RELIABILITY

Mechanism 1.5 Million Lines



-N Option, Nema 4X Enclosure



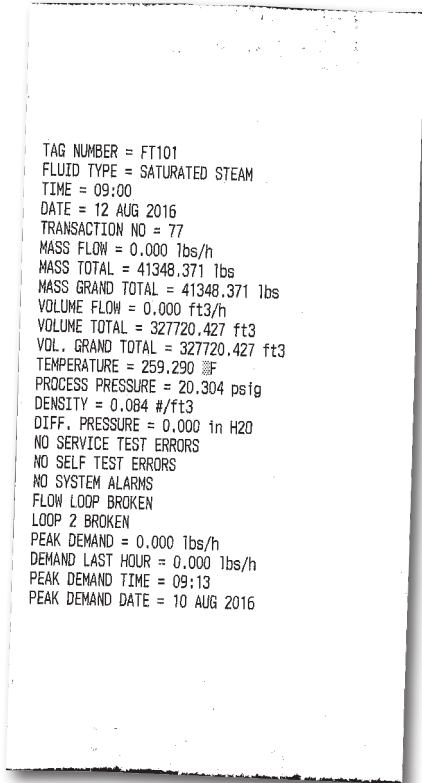
Standard Panel Mount



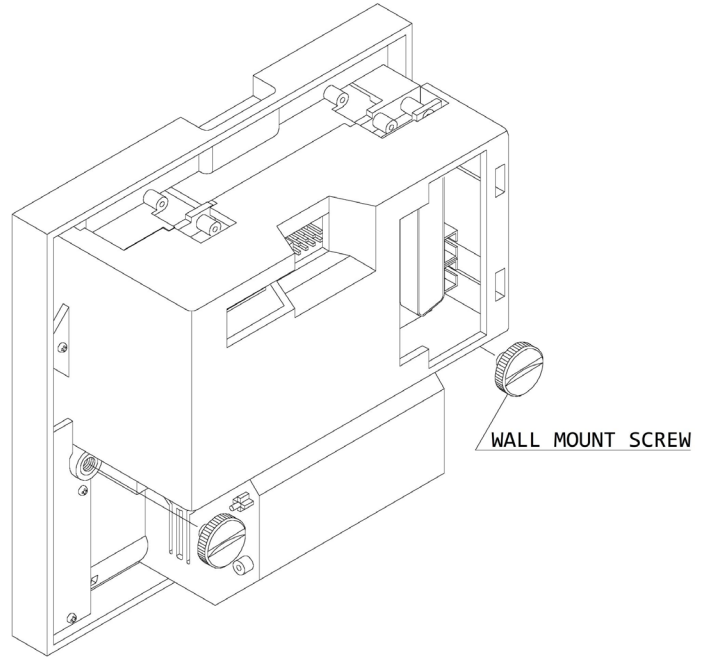
Custom Configurations Available



Sample Ticket:



Mounting:



Shipment includes:

- 1 x PMi190S printer
- 1 x Power Cable, Flying Leads, 24" Long
- 1 x Serial Cable, 18" Long
- 1 x Starter Ink Ribbon
- 1 x Small Paper Roll



Kessler-Ellis Products
 10 Industrial Way East
 Eatontown NJ 07724
 800-631-2165 or 732-649-7100

www.kep.com

How To Order:

EXAMPLE	PMi190S	24	N
Series	PMi190S = Panel Mount; Impact Receipt Printer; Serial Interface		
Power	24 = 24 VDC; 10 - 28 VDC (standard) 12 = 12 VDC; 10 - 28 VDC 5 = 5 VDC; 5 - 7 VDC (optional)		
Options	N = NEMA 4X Wall Mount Enclosure with sub-panel & duplex outlet		

Accessories

- PS190-5V = AC Adapter; universal power supply for 110~220VAC input to 5VDC output
- PS190-12V = AC Adapter; universal power supply for 110~220VAC input to 12VDC output
- PMi190-PR = Paper Roll for PMi190S Printer; Single-ply Impact (Pack of 10)
- PMi190-PR2P = Paper Roll for PMi190S Printer; Two-ply Impact (Pack of 10)
- PMi190INK-B = Black Ink Fabric Ribbon (Pack of 5)