

# MT8070iE

## Panel PC with 7" TFT Display

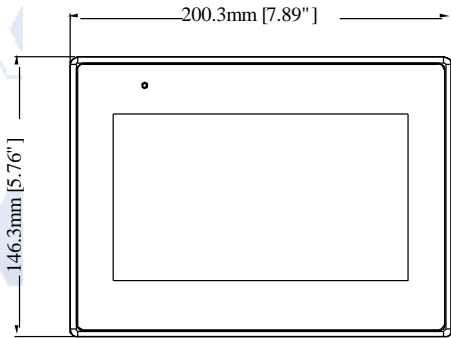


### ◆ Features

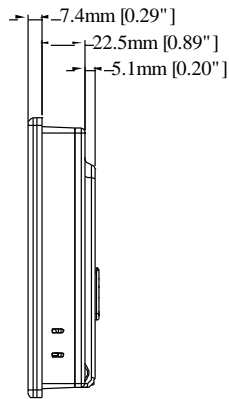
- 7" 800 x 480 TFT LCD, LED Backlight
- Slim design
- Fan-less Cooling System
- COM1 and COM3 RS-485 dual isolation design ensures reliable operation in complex grounding application
- COM1 and COM3 RS-485 2W support MPI 187.5K, please use one at one time
- PCB coating process ensures high reliability to resist from corrosion in harsh environment
- NEMA4 / IP65 Compliant Front Panel

|                      |                                 |   |
|----------------------|---------------------------------|---|
| <b>Display</b>       | Display                         | 7" TFT  |
|                      | Resolution                      | 800 x 480   |
|                      | Brightness (cd/m <sup>2</sup> ) | 350   |
|                      | Contrast Ratio                  | 500:1   |
|                      | Backlight Type                  | LED   |
|                      | Backlight Life Time             | >30,000 hrs.  |
|                      | Colors                          | 16M   |
| <b>Touch Panel</b>   | Type                            | 4-wire Resistive Type   |
|                      | Accuracy                        | Active Area Length(X)±2%, Width(Y)±2%                             |
| <b>Memory</b>        | Flash                           | 128 MB  |
|                      | RAM                             | 128 MB  |
| <b>Processor</b>     |                                 | 32 bits RISC Cortex-A8 600MHz                                     |
| <b>I/O Port</b>      | SD Card Slot                    | N/A   |
|                      | USB Host                        | USB 2.0 x 1   |
|                      | USB Client                      | N/A   |
|                      | Ethernet                        | 10/100 Base-T x 1   |
|                      | COM Port                        | COM1: RS-232/RS-485 2W/4W<br>COM3: RS-485 2W                      |
|                      | RS-485 Dual Isolation           | Yes   |
|                      | CAN Bus                         | N/A   |
|                      | HDMI                            | N/A   |
|                      | Audio Output                    | N/A   |
| Video Input          | N/A                             |   |
| <b>RTC</b>           |                                 | Built-in  |
| <b>Power</b>         | Input Power                     | 24±20% VDC  |
|                      | Power Isolation                 | N/A   |
|                      | Power Consumption               | 350mA@24VDC   |
|                      | Voltage Resistance              | 500VAC (1 min.)   |
|                      | Isolation Resistance            | Exceed 50MΩ at 500VDC   |
|                      | Vibration Endurance             | 10 to 25Hz (X, Y, Z direction 2G 30 minutes)                      |
| <b>Specification</b> | PCB Coating                     | Yes   |
|                      | Enclosure                       | Plastic   |
|                      | Dimensions WxHxD                | 200.3 x 146.3 x 34 mm   |
|                      | Panel Cutout                    | 192 x 138 mm  |
|                      | Weight                          | Approx. 0.6 kg  |
|                      | Mount                           | Panel mount   |
| <b>Environment</b>   | Protection Structure            | UL Type 4X (indoor use only) / NEMA4 / IP65 Compliant Front Panel |
|                      | Storage Temperature             | -20° ~ 60°C (-4° ~ 140°F)   |
|                      | Operating Temperature           | 0° ~ 50°C (32° ~ 122°F)   |
|                      | Relative Humidity               | 10% ~ 90% (non-condensing)  |
| <b>Certificate</b>   | CE                              | CE marked   |
|                      | UL                              | cULus Listed  |
| <b>Software</b>      |                                 | EasyBuilder Pro V3.00.01 or later versions                        |

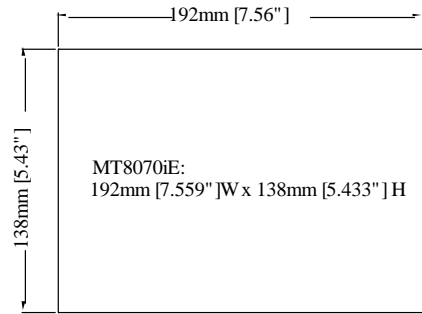
## Dimensions Drawing



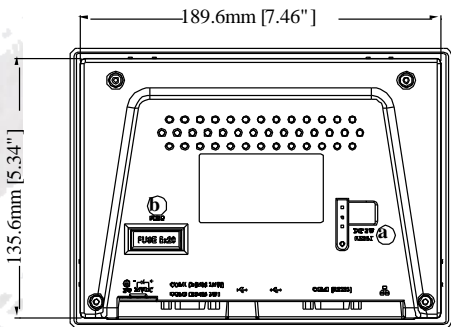
Front View



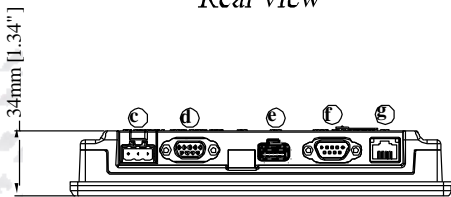
Side View



Cutout Dimensions



Rear View



Bottom View

|   |                                   |
|---|-----------------------------------|
| a | DIP SW                            |
| b | Fuse                              |
| c | Power Connector                   |
| d | COM1 RS-485 2W/4W, COM3 RS-485 2W |
| e | USB Host Port                     |
| f | COM1 RS-232                       |
| g | Ethernet Port                     |

## Ordering Information

**MT8070iE1:**

7" 800 x 480 TFT LCD HMI, Built-in 128 MB flash memory / 128 MB DDR2 RAM

**-DG:** Add "-DG" to part number for Dark Gray panel

### PIN Assignment

COM1 RS232, 9 Pin, Male, D-sub

| PIN# | Symbol   | COM1 [RS232]         |
|------|----------|----------------------|
| 1    | Not used |                      |
| 2    | RxD      | Received Data        |
| 3    | TxD      | Transmitted Data     |
| 4    | Not used |                      |
| 5    | GND      | Ground               |
| 6    | Not used |                      |
| 7    | RTS      | Ready to send output |
| 8    | CTS      | Clear to send input  |
| 9    | Not used |                      |

COM1/3 RS485, 9 Pin, Female, D-sub

| PIN# | Symbol   | COM1 [RS485] |     | COM3 [RS485] |
|------|----------|--------------|-----|--------------|
|      |          | 2W           | 4W  |              |
| 1    | Rx-      | Data-        | Rx- |              |
| 2    | Rx+      | Data+        | Rx+ |              |
| 3    | Tx-      |              | Tx- |              |
| 4    | Tx+      |              | Tx+ |              |
| 5    | GND      | GND(COM1)    |     |              |
| 6    | Not used |              |     |              |
| 7    | Data-    |              |     | Data-        |
| 8    | Data+    |              |     | Data+        |
| 9    | GND      |              |     | GND(COM3)    |

Contact: Kessler-Ellis Products TEL: 732-935-1320 Web: www.kep.com