

# MS799

## Large NEMA 4X Housing with Hinged Cover

### FEATURES:

- Molded fiberglass polyester has outstanding chemical and temperature resistance qualities and exhibits excellent weatherability and physical properties
- Accommodates Flow Computer(s) and Accessories (printers, converters, etc.)
- Seamless foam-in-place gasket assures watertight and dust tight seal
- Stainless steel mounting brackets and attachment screws are provided with each enclosure
- Hinge is corrosion-resistant type stainless steel
- Padlock provisions included on each quick release latch

### Description

Designed for use with the SUPERtrol series of products for both indoor and outdoor settings. The enclosure is large enough to fit up to three SUPERtrol series units and/or also house accessories inside. It is used in highly corrosive environments typically found in oil refineries, chemical processing plants, waste water treatment, marine installations, pulp and paper processing, and electroplating plants. The efficient design and simple construction create a low-cost, durable, and aesthetic enclosure.

Height (In.): 14.0

Width (In.): 12.0

Depth (In.): 7.75

Standard Weight (empty): 12.0 Lbs.

### Material:

Cover/Base - Ultraguard® Fiberglass reinforced polyester (Color RAL 7035),

Fasteners - 304 series stainless steel,

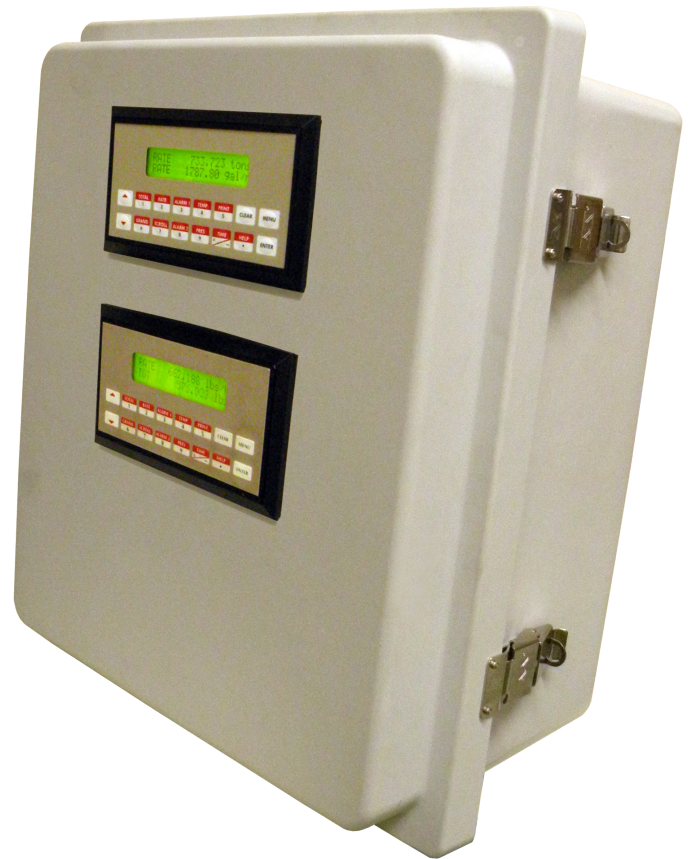
Back panel inserts - Brass,

Gasket - Closed cell neoprene,

Mounting Feet - 304 series stainless steel

### Test Spec:

Construction meets NEMA/EEMAC Type 1, 2, 3, 4, 4X, 12 & 13 UL® 508A listed; Type 1, 2, 3, 3R, 4, 4X, 12, and 13 CSA-C22 No. 14; Type 1, 2, 3, 3R, 4, 4X, 12, and 13 IEC60529 Type IP66



### Ordering Information:

#### Part Number:

MS799NEMAST4X0QR - enclosure with no cutouts

MS799NEMAST4X1QR - enclosure with 1 cutout for ST series

MS799NEMAST4X2QR - enclosure with 2 cutouts for ST series

MS799NEMAST4X3QR - enclosure with 3 cutouts for ST series

**NOTE:** QR in part number depicts Quick Release Latches (std)

#### Options:

SP - Sub-Panel (aluminum)

DR1 - Single DIN Rail Installed for accessory mounting

DO - Duplex Outlet

SW - Power Disconnect Switch

TB - Terminal Block

PW - Internal Pre-wired by KEP

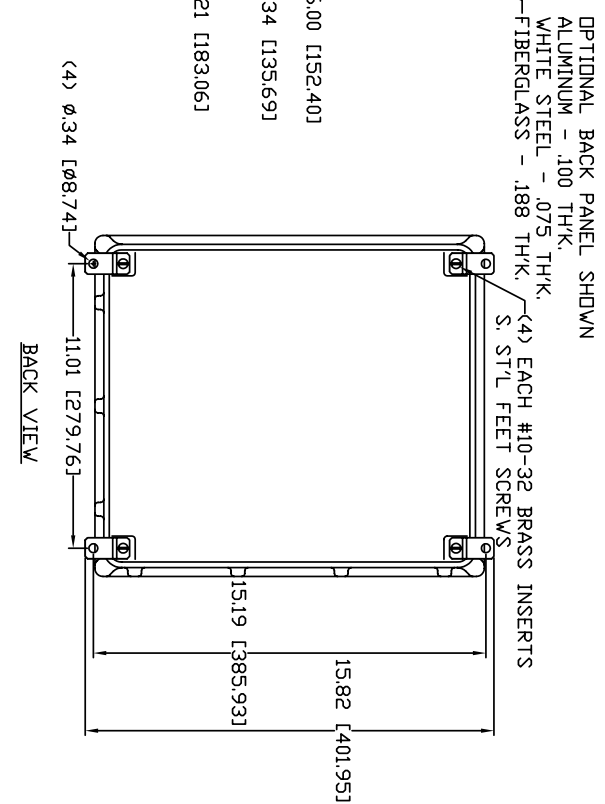
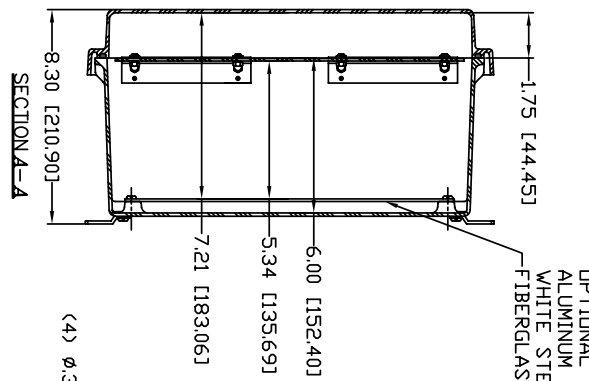
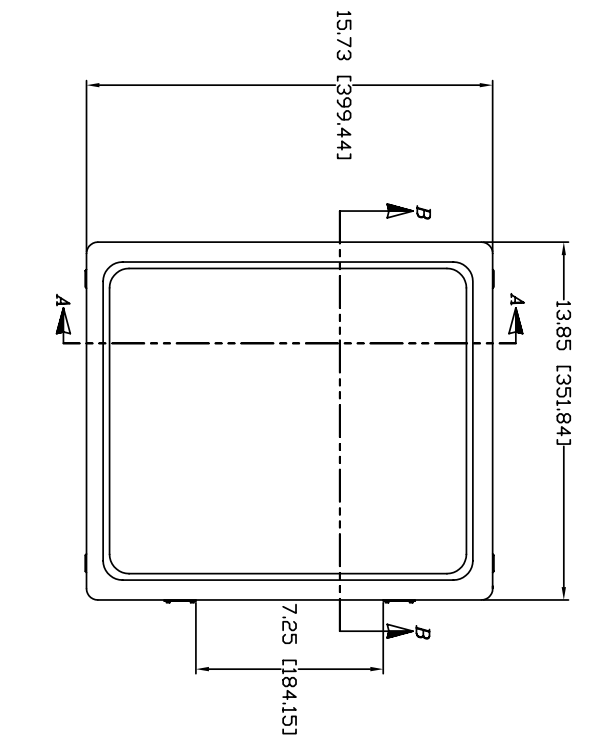
A - Assembled at KEP

*Consult factory for custom conduit hole, fitting and factory wiring options.*

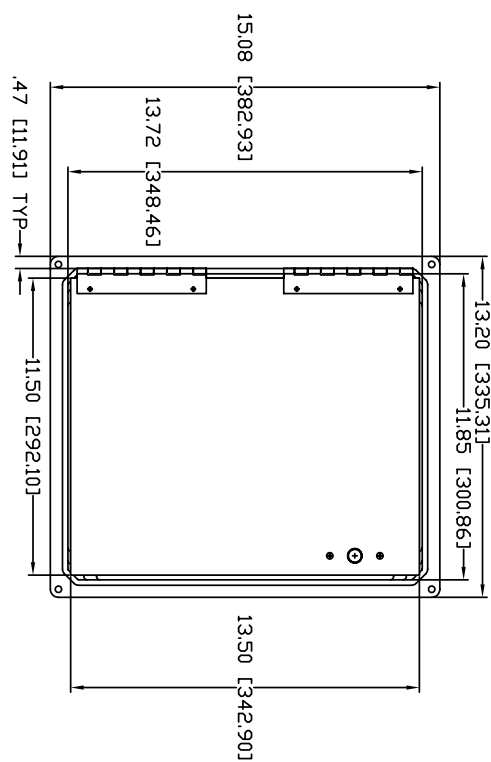
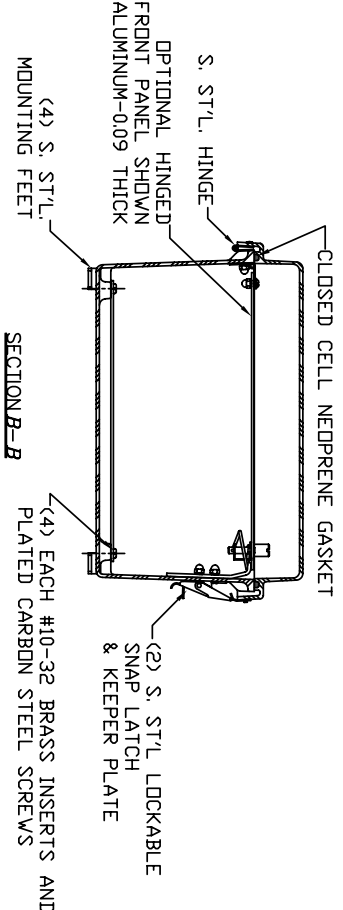


**KESSLER-ELLIS PRODUCTS** 10 Industrial Way East, Eatontown, NJ 07724  
800-631-2165 • 732-935-1320 • Fax 732-935-9344 • <http://www.kep.com>

**Dimensions**



OPTIONAL BACK PANEL SHOWN  
ALUMINUM - .100 THK.  
WHITE STEEL - .075 THK.  
FIBERGLASS - .188 THK.  
(4) EACH #10-32 BRASS INSERTS  
S. STL FEET SCREWS



FRONT VIEW WITH LID REMOVED

MATERIAL:  
BOX - COMPRESSION MOLDED FIBERGLASS REINFORCED POLYESTER  
COVER - COMPRESSION MOLDED FIBERGLASS REINFORCED POLYESTER  
WINDOWS - POLYCARBONATE