



MMI8104H

Human Machine Interface with 10.4" TFT LCD display

- 10.4" 800x600 TFT LCD Color Display
- Fan-less cooling system
- Built-in Flash Memory and RTC
- NEMA4/IP65 compliant front panel
- LED Back Light
- One USB Host and one USB client port
- SD card slot
- Power Isolator inside
- Free Design Mode, Windowstm Based Setup Software Included

Introduction

The MMI8104H is a 10.4" LCD with touchscreen HMI platform. It offers a fast 400 MHz, 32-Bit RISC CPU, expanded memory and a bright, 10.4" display with high resolution. The MMI8104H delivers impressive performance at low power. A hardware graphics acceleration engine gives superior 65K color graphics performance. This leaves more time for Data management.

The MMI8104H has features for Data logging and SD Card or USB Stick type memory storage. Data information can also be accessed by SCADA/ HMI software running on remote PC's via Ethernet. MMI to MMI communications are easily done through Ethernet connections. HMI project configuration is easy with EasyBuilder8000 software. With its many features the MMI8104 is the sensible choice for present and future Operator Interface applications

General Specifications

- Construction: plastic molding housing
- Display: 10.4" 65,536 color TFT LCD
- CPU and core logic: 32Bit RISC 400MHz processor
- DRAM: 64 MB DDR2 on board
- Storage: 128 MB flash memory on board, (User project size: 16MB, Data and Event log size: 48MB)
- I/O: 3 serial ports: Com1: RS-232/RS-485 2w/4w,
- Com2: RS-232, Com3: RS-232/RS-485 2w
- 1 Ethernet port (10/100Base-T)
- 1 USB 1.1 host
- 1 USB 2.0 high speed device
- RTC: Built-in
- Power input: 24±20%VDC,250mA@24VDC
- Dimension (W x H x D): 286 x 212 x 50mm
- Weight: 1.6kg
- Software: EB8000 V3.4.0 or later

Display

Display type	TFT LCD
Display size (diagonal)	10.4"
Max colors	65536
Resolution	800 x 600
Pixel pitch (HxV, mm)	0.198 x 0.198
Viewing angle (°)	45/65/65/65(T/B/R/L)
Luminance (cd/m ²)	300
Backlight	LED
Backlight Life time	30,000 hrs.
Contrast ratio	500:1

Touchscreen

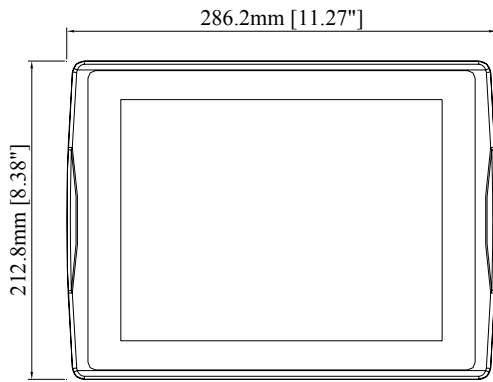
- Type: 4-wire, analog resistive
- Resolution: continuous
- Light transmission: above 80%
- Life: 1 million activation minimum

Environmental Specifications

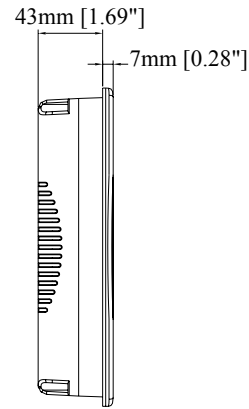
- Operating temperature: 0° ~ 45°C (32° ~ 113°F)
- Storage temperature: -20° ~ 60°C (-4° ~ 140°F)
- Relative humidity: 10% ~ 90% @ 40°C, non-condensing
- Shock (operation): 10 to 25Hz(X,Y,Z direction 2G 30minutes)
- EMI: Complies with FCC class A
- CE: EN 55022: 2006, Class A. EN 61000-3-2: 2006. EN 61000-3-3: 1995+ A1: 2001+A2: 2005
- Front panel meets NEMA4 / IP65

Installation Guide

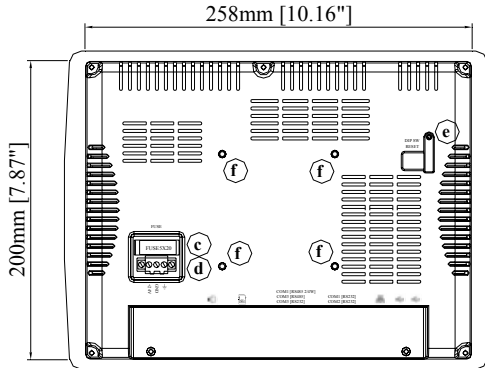
Dimensions are in mm (inches)



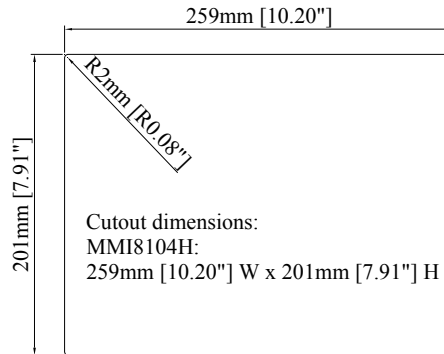
Front View



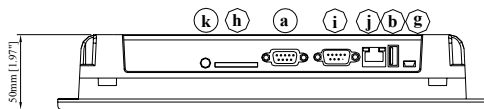
Side View



Rear View



Cutout dimensions:
MMI8104H:
259mm [10.20"] W x 201mm [7.91"] H



Bottom View

a	Com1 RS485, Com3 RS485, Com3 RS232	f	VESA 75mm screw holes
b	USB Host port	g	USB Device port
c	Fuse	h	SD card slot
d	Power connector	i	Com1 RS232, Com2 RS232
e	DIP SW & Reset button	j	Ethernet port (RJ-45)



Kessler-Ellis Products

10 Industrial Way East, Eatontown, NJ 07724

Toll Free: 800-631-2165 • Phone: 732-935-1320 • Fax: 732-935-9344

www.kep.com

Ordering Information

Part Number	Description
MMI8104H	Graphic Interface with 10.4" Color LCD display and Touchscreen. Setup software and Ethernet Crossover cable for programming included