



MMI8070H

7" Color Graphic Display Panel and Touch Screen

- 7" 800x480 TFT LCD
- Fan-less cooling system
- Built-in flash memory and RTC
- NEMA4/IP65 compliant front panel
- LED Back Light
- One USB Host and one USB client port
- SD card slot
- Power Isolator inside

Introduction

MMI8070H series is part of the the new MMI8000 Series from KEP. Based on the design concept of meeting customers' satisfaction with easy-to-use attributes. The MMI8070H not only performs as a Human Machine Interface but also plays the role of a data exchange center. Data can be shared among MMI8000 series through Ethernet connections. SCADA/HMI software running on on a PC can access data from the MMI8070H. The MT8070H features include a USB 1.1 host, a mini-USB 2.0 high speed device and SD card slot.

General Specifications

- Construction: plastic molding housing
- Display: 7" 65,536 color TFT LCD
- CPU and core logic: 32Bit RISC 400MHz processor
- DRAM: 64 MB DDR2 on board
- Storage: 128 MB flash memory on board,
- I/O: 3 serial ports: Com1: RS-232/RS-485 2w/4w, Com2: RS-232, Com3: RS-232/RS-485 2w
- 1 Ethernet port (10/100Base-T)
- 1 USB 1.1 host
- 1 USB 2.0 high speed device
- RTC: Built-in
- Power input: 24±20%VDC,250mA@24VDC
- Dimension (W x H x D): 200 x 146 x 42.5mm
- Weight: 0.85kg
- Software: EB8000 V2.0.0 or later

Display

Display type	TFT LCD
Display size (diagonal)	7"
Max colors	65536
Resolution	800 x 480
Pixel pitch (HxV, mm)	0.1905 x 0.0635
Viewing angle (°)	70/50/70/70(T/B/R/L)
Luminance (cd/m ²)	300
Backlight	LED
Backlight Life time	30,000 hrs.
Contrast ratio	500:1

Touchscreen

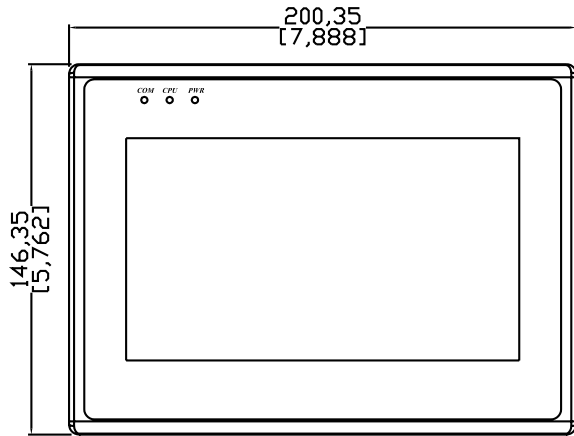
- Type: 4-wire, analog resistive
 - Resolution: continuous
 - Light transmission: above 80%
- Life: 1 million activation minimum

Environmental Specifications

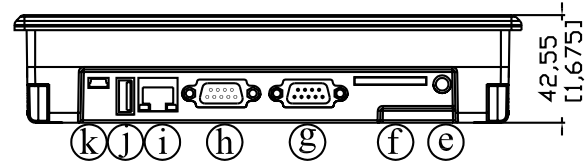
- Operating temperature: 0° ~ 45°C (32° ~ 113°F)
- Relative humidity: 10% ~ 90% @ 40°C, non-condensing
- Shock (operation): 10 to 25Hz(X,Y,Z direction 2G 30minutes)
- EMI: Complies with FCC class A
- CE: Complies with EN50081-2 and EN50082-2 standards
- Front panel meets NEMA4 / IP65

MMI8070H 7" Color Graphic Display Panel and Touch Screen

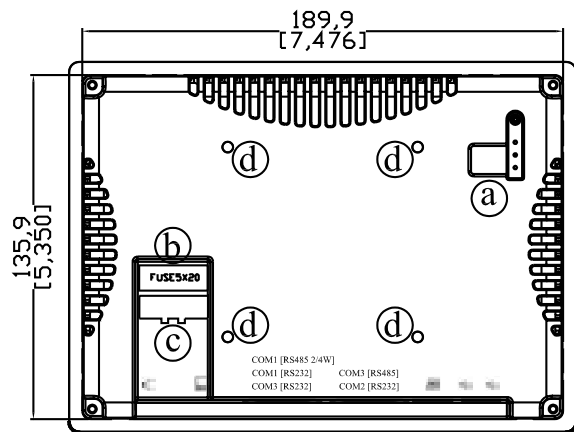
Installation Guide Dimensions are in mm (inches)



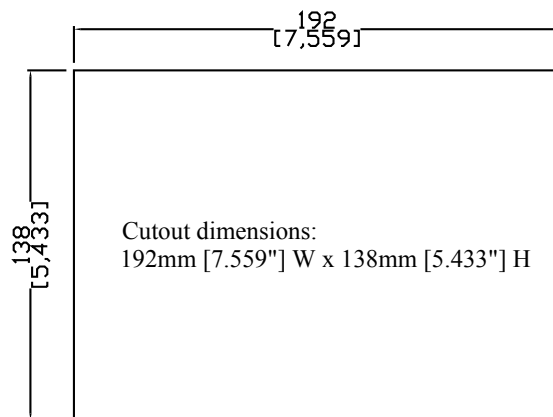
Front View



Bottom View



Rear View



a	DIP SW & Reset button	e	N/A
b	Fuse	f	SD card slot
c	Power connector	g	Com1[232], Com2[232]
d	VESA 75mm screw holes	h	Com1 RS485, Com3 RS485, Com3 RS232
		i	Ethernet port (RJ-45)
		j	USB Host port
		k	USB Device port

KEP

Kessler-Ellis Products

10 Industrial Way East, Eatontown, NJ 07724

Toll Free: 800-631-2165 • Phone: 732-935-1320 • Fax: 732-935-9344

www.kep.com

Ordering Information

Part Number	Description
MMI8070H	Graphic Interface with 7" Color LCD display and Touchscreen with 128MB flash memory/64MB DDR2 RAM on board. Setup software for programming included