



MMI6056

5.6" Color Graphic Display Panel and Touch Screen

- 5.6" 320x234 TFT LCD
- Fan-less cooling system
- Built-in flash memory and RTC
- NEMA4/IP65 compliant front panel
- LED Back Light
- One USB client port
- Power Isolator Inside

Introduction

The MMI6056 is a compact HMI platform. This new and improved design comes very close to mimicking an Industrial PC. Its 32-bit RISC kernel delivers impressive performance at low power. A hardware graphics acceleration engine gives superior 65K color graphics performance. This leaves more time for Data management.

With its many features the MMI6056 is the sensible choice for present and future Operator Interface applications.

General Specifications

- Construction: plastic molding housing
- Display: 5.6" 65,536 color TFT LCD
- CPU and core logic: 32Bit RISC 400MHz processor
- DRAM: 64 MB DDR2 on board
- Storage: 128 MB flash memory on board, (User project size: 16MB, Data and Event log size: 48MB)
- I/O: 1 serial port: COM1: RS-232/RS-485 2w/4w, 1 mini-USB 2.0 high speed device
- RTC: Built-in
- Power input: 24±20%VDC, 250mA@24VDC
- Dimension (W x H x D): 204 x 150 x 48mm
- Weight: 0.85kg
- Software: EB8000 V3.0.0 or later

Touchscreen

- Type: 4-wire, analog resistive
- Resolution: continuous
- Light transmission: above 80%
- Life: 1 million activation minimum

LCD Display:

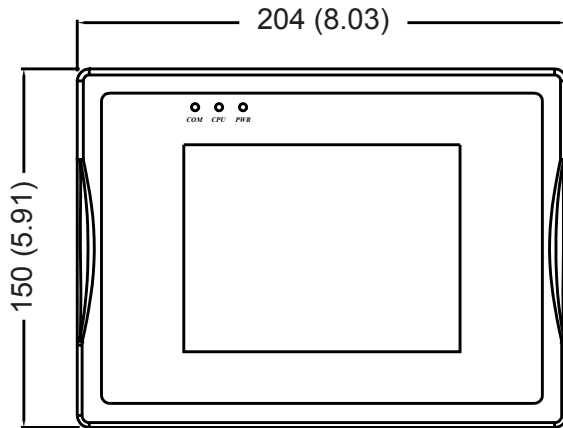
Display type	TFT LCD
Display size (diagonal)	5.6"
Max colors	65536
Resolution	320 x 234
Pixel pitch (HxV, mm)	0.362 x 0.118
Viewing angle (°)	45/65/65/65 (T/B/R/L)
Luminance (cd/m ²)	300
Backlight	LED
Backlight Life time	30,000 hrs.
Contrast ratio	300:1

Environmental Specifications

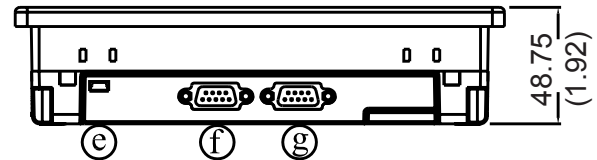
- Operating temperature: 0° ~ 45°C (32° ~ 113°F)
- Relative humidity: 10% ~ 90% @ 40°C, non-condensing
- Shock (operation): 10 to 25Hz(X,Y,Z direction 2G 30minutes)
- EMI: Complies with FCC class A
- CE: Complies with EN50081-2 and EN50082-2 standards
- Front panel meets NEMA4 / IP65

Installation Guide

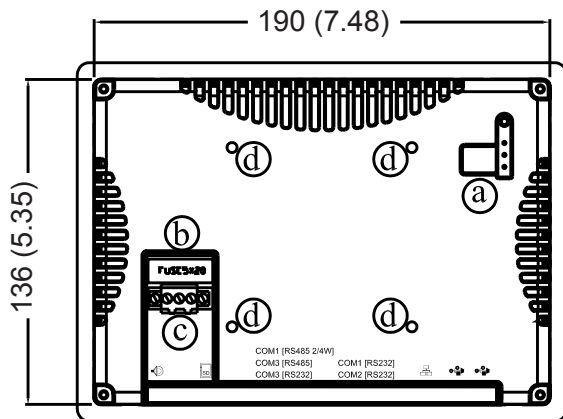
Dimensions are in mm (inches)



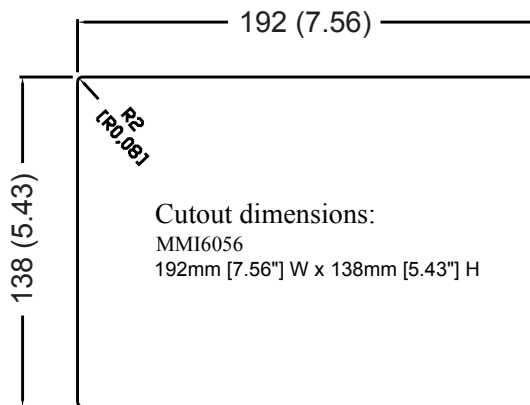
Front View



Bottom View



Rear View



a	DIP SW & Reset button	e	USB Client port
b	Fuse	f	Com1[RS232]
c	Power connector	g	Com1[RS485]
d	VESA 75mm screw holes		

KEP

Kessler-Ellis Products

10 Industrial Way East, Eatontown, NJ 07724

Toll Free: 800-631-2165 • Phone: 732-935-1320 • Fax: 732-935-9344

www.kep.com

Ordering Information

Part Number	Description
MMI6056	Graphic Interface with 5.6" Color LCD display and Touchscreen. Setup software and USB to MiniUSB cable for programming included