

K-TSX50N2- K-TSX50N8

The TSX series uses the latest generation of laser trackballs.

These trackballs are highly suited for harsh industrial environments thanks to their robustness and ease of maintenance.

They feature a removable top ring facilitating the cleaning of ball and ball compartment for use in even the most dusty environments. The concept itself of these laser trackballs make them waterproof as well.

Two types are offered:

K-TSX50N2:

blank stainless steel carrier with three medium travel IP65 stainless steel buttons

K-TSX50N8:

matt blackened stainless steel carrier with three short travel IP68 stainless steel buttons



K-TSX50N2

K-TSX50N8-BT1

Both types are supplied with a silicone sponge seal ring for adequate sealing into the customers' panel or console. A cover plate on the rear side protects the components.

SPECIFICATIONS

Sealing : waterproof trackball module
 Carrier plate : stainless steel
 Ball diameter : 50,8 mm (2")
 Ball material : polyester
 Tracking force : nom. 50 grams
 Lifetime : >= 2 million ball revolutions
 Cable : shielded, straight 1,6 m long
 Operating t° range : -10°C to +60°C
 Storage t° range : -25°C to +80°C
 Dimensions : 100 x 116 x 40 mm
 Weight : 0,5 kg

Buttons	K-TSX50N2	K-TSX50N8
Sealing	IP65	IP68
Travel	1,3mm	0,5mm
Operating force	4N	4N
Material	stainless steel	
Mechanical life	1 million	3 million

CE: compliant to EMC Directive 89/336/EEC for Electromagnetic Compatibility. Low Voltage Directive 73/23/EEC not applicable for our trackballs.

CONNECTIVITY

These combo USB & PS/2 trackball units have a 1,6 meter long shielded straight cable ended by a USB type A plug.

An adaptor to PS/2 is added. No special device driver is needed, use standard available drivers of your operating system.

* Due to the increasing differences of the PS/2 mouse port specifications of the various PC manufacturers, we do recommend that this unit should be tested on the final PC configuration and operating system prior to installing it in series.

MOUNTING

Intended for front panel mounting by means of four M4 screws with countersunk head (not supplied). The sealing of the screws is at the customers' discretion. A silicone seal is supplied with the trackball unit in order to seal the carriers' borders.

ORDER INFO

with blank sst carrier	with blackened sst carrier
K-TSX50N2	K-TSX50N8-BT1

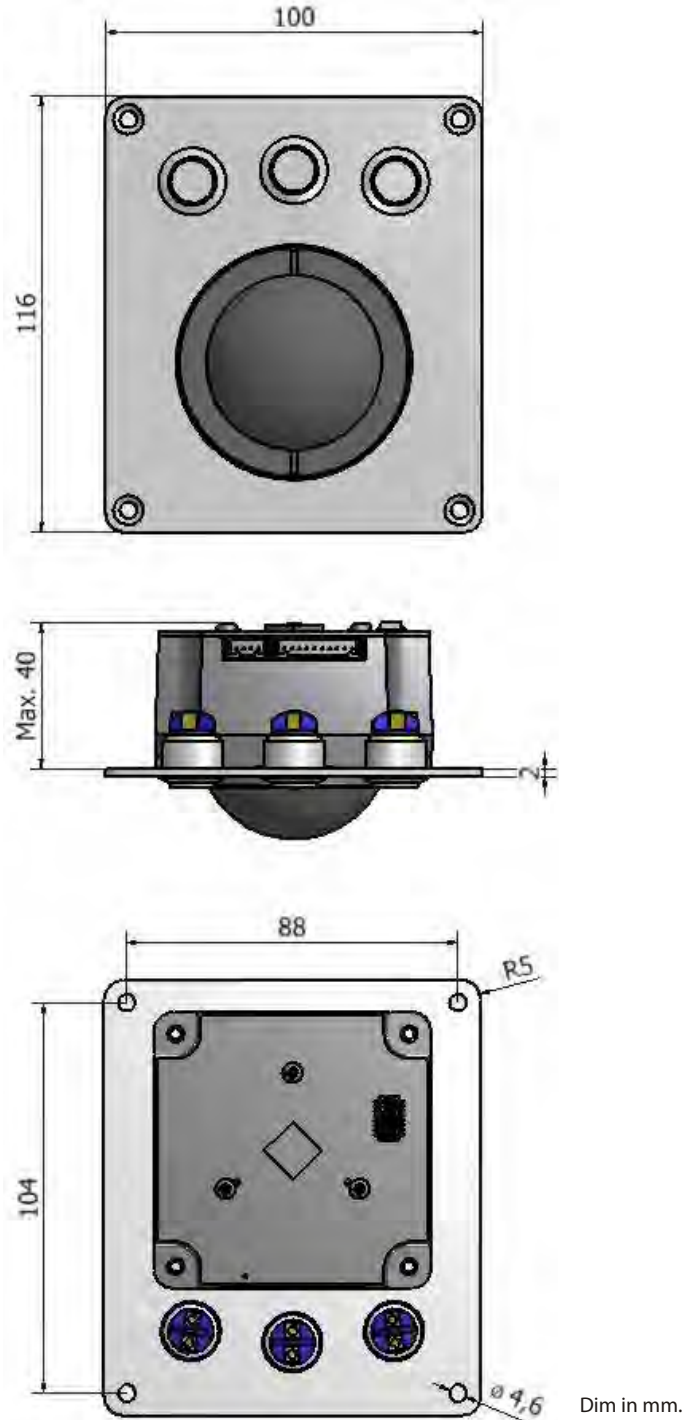
Output : USB & PS/2 Combo



50 mm LASER VANDALPROOF TRACKBALLS

Front panel mounting by countersunk M4 screws

DIMENSIONAL DRAWING



Kessler-Ellis Products

10 Industrial Way East, Eatontown, NJ 07724

Phone: (732) 935-1320 • (800) 631-2165

Fax: (732) 935-9344

Visit Us On The World Wide Web

kep-com
<http://www.kep.com>