

ES-759

- “EZ Setup”- Guided Setup for First Time Users
- Liquid, Gas, Steam and Heat Flow Equations
- Utility Metering - Steam, Heating/Cooling, Chilled Water, Natural Gas, Compressed Air
- Press TOTAL button to view Heating Total, Press GRAND button to view Cooling Total (Liquid Delta Heat Equation)
- Menu Selectable Hardware & Software Features
- Internal Data Logger
- Isolated Pulse and Analog Outputs Standard
- RS-232 Port Standard, Provides Power for Modem
- RS-485 with Modbus RTU (optional)
- Internal Communication Card Option
Supports: BACnet IP, BACnet MS/TP, Metasys N2, Modbus TCP, AB Ethernet IP, AB DF1, LonWorks*

Description:

The ES-759 Flow Computer satisfies the instrument requirements for a variety of flowmeter types in liquid, gas, steam and heat applications. Multiple flow equations are available in a single instrument with many advanced features. The ES-759 offers a special feature that allows users to access Heating Total by pressing the TOTAL button, and Cooling Total by pressing the GRAND button when using Liquid Delta Heat Equation.

The alphanumeric display offers measured parameters in easy to understand format. Manual access to measurements and display scrolling is supported

The versatility of the Flow Computer permits a wide measure of versatility within the instrument package. The various hardware inputs and outputs can be “soft” assigned to meet a variety of common application needs. The user “soft selects” the usage of each input/output while configuring the instrument.

Applications Include:

Steam Mass, Steam Heat, Natural Gas, Fuel Oil, Compressed Air, Combination Chilled Water and Heated Water including Low DeltaT.

The isolated analog output can be chosen to follow the volume flow, corrected volume flow, mass flow, heat flow, temperature, pressure, or density by means of a menu selection. Most hardware features are assignable by this method.

The user can assign the standard RS-232 Serial Port for external data logging, transaction printing, or for connection to a modem for remote meter reading.

A Service or Test mode is provided to assist the user during start-up system check out by monitoring inputs and exercising outputs. The system setup can also be printed.

Utility Metering Flow Computer



- Windows™ Setup Software
- NX19 Gas Equations, Stacked DP Transmitters
- DDE Server & HMI Software Available
- Remote Metering by External Wireless or Modem

Specifications:

Environmental

Operating Temperature: 0 to +50 C
Storage Temperature: -40 to +85 C
Humidity : 0-95% Non-condensing
Materials: UL, CSA, VDE approved

Display

Type: 2 lines of 20 characters
Types: Backlit LCD, OLED and VFD ordering options
Character Size: 0.2” nominal
User selectable label descriptors and units of measure

Keypad

Keypad Type: Membrane Keypad with 16 keys
Keypad Rating: Sealed to NEMA 4X / IP65

Enclosure

Enclosure Options: Panel, Wall, Explosion Proof
Size: See Dimensions
Depth behind panel: 6.5” including mating connector
Type: DIN
Materials: Plastic, UL94V-0, Flame retardant
Bezel: Textured per matt finish

Power Input

The factory equipped power option is internally fused. An internal line to line filter capacitor is provided for added transient suppression. MOV protection for surge transient is also supported
Universal AC Power: 85 to 276 Vrms, 50/60 Hz
DC Power Option: 24 VDC (16 to 48 VDC)
Power Consumption
AC Power: 6.5 V/A
DC Power: 300 mA max.
24 VDC @ 100 mA (fault protected)

* LonWorks protocol requires a different module assembly from the other available protocols. LonWorks is not field selectable.

Flow Meter Types:

Linear: Vortex, Turbine, Positive Displacement, Magnetic, GilFlo, ILVA, Mass Flow and others
 Square Law: Orifice, Venturi, Nozzle, V-Cone, Wedge, Averaging Pitot, Target, Verabar, Accelabar and others
 Multi-Point Linearization: May be used with all flowmeter types. Including: 16 point, UVC and dynamic compensation.

Flow Inputs:**Analog Input:**

Accuracy: 0.02% FS at 20° C

Ranges

Voltage: 0-10 VDC, 0-5 VDC, 1-5 VDC

Current: 4-20 mA, 0-20 mA,
4-20 mA stacked, 0-20 mA stacked

Basic Measurement Resolution: 16 bit

Update Rate: 4 updates/sec

Automatic Fault detection: Signal over/under-range,
Current Loop Broken

Calibration: Operator assisted learn mode

Extended calibration: Learns Zero and Full Scale of each range

Fault Protection:

Fast Transient: 500 V Protection (capacitive clamp)

Reverse Polarity: No ill effects

Over-Voltage Limit: 50 VDC Over voltage protection

Over-Current Protection: Internally current limited protected to 24VDC

Pulse Inputs:

Number of Flow Inputs: one

Input Impedance: 10 k Ω nominal

Trigger Level: (menu selectable)

High Level Input

Logic On: 2.5 to 30 VDC

Logic Off: 0 to 2 VDC

Low Level Input (mag pickup)

Selectable sensitivity: 10 mV and 100 mV

Minimum Count Speed: 0.25 Hz (to maintain rate display)

Maximum Count Speed: Selectable: 0 to 50 kHz

Overvoltage Protection: 50 VDC

Temperature, Pressure, Density Inputs

The compensation inputs usage are menu selectable for temperature, temperature 2, pressure, density or not used.

Calibration: Operator assisted learn mode

Operation: Ratiometric

Accuracy: 0.02% FS at 20° C

Basic Measurement Resolution: 16 bit

Update Rate: 2 updates/sec minimum

Automatic Fault detection:

Signal Over-range/under-range

Current Loop Broken

RTD short

RTD open

Reverse Polarity: No ill effects

Over-Current Limit

(current input)Internally limited to protect input to 24 VDC)

Available Input Ranges

Current: 4-20 mA, 0-20 mA

Resistance: 100 Ohms DIN RTD

100 Ohm DIN RTD (DIN 43-760, BS 1904):

Three Wire Lead Compensation

Internal RTD linearization learns ice point resistance

1 mA Excitation current with reverse polarity protection

Temperature Resolution: 0.1° C

Temperature Accuracy: \pm 0.5° C

Stored Information (ROM)

Steam Tables (saturated & superheated),

Fluid Properties: Water, Air, Natural Gas or Generic

User Entered Stored Information (EEPROM / Nonvolatile RAM)

Transmitter Ranges, Signal Types

Fluid Properties

(specific gravity, expansion factor, specific heat, viscosity, isentropic exponent, combustion heating value, Z factor)

Units Selections (English/Metric)

Language Translations (optional)

Excitation Voltage

24 VDC @ 100 mA (fault protected)

Relay Outputs

The relay outputs usage is menu assignable to (Individually for each relay) Hi/Lo Rate Alarm, Hi/Lo Temperature Alarm, Hi/Lo Pressure Alarm, Pulse Output (pulse options), Wet Steam or General purpose warning (security).

Number of relays: 2 (3 optional)
 Contact Style: Form C contacts
 Contact Ratings: 240 V, 5 amp

Analog Outputs

The analog outputs are menu assignable to correspond to the Uncompensated Volume Rate, Corrected Volume Rate, Mass Rate, Heat Rate, Temperature, Density, or Pressure.

Number of Outputs: 2
 Type: Isolated Current Sourcing (shared common)
 Available Ranges: 0-20 mA, 4-20 mA (menu selectable)
 Resolution: 16 bit
 Accuracy: 0.05% FS at 20 Degrees C
 Update Rate: 5 updates/sec
 Temperature Drift: Less than 200 ppm/C
 Maximum Load: 1000 ohms
 Compliance Effect: Less than .05% Span
 60 Hz rejection: 40 dB minimum
 EMI: No effect at 3 V/M
 Calibration: Operator assisted Learn Mode
 Averaging: User entry of DSP Averaging constant to cause a smooth control action

Listing: CE Approved, UL/CSA Pending

Serial Communication

The serial port can be used for printing, datalogging, modem connection and communication with a computer. Power is provided for KEP's MPP2400N (modem) communication accessory.

RS-232:
 Device ID: 01-99
 Baud Rates: 300, 1200, 2400, 9600
 Parity: None, Odd, Even
 Handshaking: None, Software, Hardware
 Print Setup: Configurable print list and formatting,
 Compatible with external dataloggers.

RS-485:
 Device ID: 01-247
 Baud Rates: 300, 600, 1200, 2400, 4800, 9600, 19200
 Parity: None, Odd, Even
 Protocol: Modbus RTU (Half Duplex)

Data Logging

The data logger captures print list information to internal storage for approximately 1000 transactions. This information can be used for later uploading or printing. Storage format is selectable for Comma-Carriage Return or Printer formats.

Isolated Pulse output

The isolated pulse output is menu assignable to Uncompensated Volume Total, Compensated Volume Total, Heat Total or Mass Total.

Pulse Output Form (menu selectable): Open Collector NPN or 24 VDC voltage pulse
 Nominal On Voltage: 24 VDC
 Maximum Sink Current: 25 mA
 Maximum Source Current: 25 mA
 Maximum Off Voltage: 30 VDC
 Saturation Voltage: 0.4 VDC
 Pulse Duration: User selectable
 Pulse output buffer: 8 bit
 Fault Protection
 Reverse polarity:
 Shunt Diodes
 Over-current Protected
 Over-voltage Protected

Real Time Clock

The Flow Computer is equipped with a battery backed non-volatile real time clock with display of time and date.
 Format:
 24 hour format for time
 Day, Month, Year for date

Terminal Designations

1	DC OUTPUT		
2	PULSE IN	Vin (+)	FLOW IN
3	-----	lin (+)	
4	COMMON		
5	RTD EXCIT (+)		TEMPERATURE
6	RTD SENS (+)		IN
7	RTD SENS (-)	lin (+)	
8	DC OUTPUT		
9	RTD EXCIT (+)		PRESSURE (TEMP 2)
10	RTD SENS (+)		IN
11	RTD SENS (-)	lin (+)	
12	PULSE OUTPUT (+)		
13	PULSE OUTPUT (-)		
14	ANALOG OUTPUT 1 (+)		
15	ANALOG OUTPUT 2 (+)		
16	ANALOG OUTPUT COMMON (-)		
17	NO		
18	COM RLY1		
19	NC		
20	NC		
21	COM RLY2		
22	NO		
23	AC LINE	DC (+)	POWER IN
24	AC LINE	DC (-)	

Internal Multi-protocol Communication Card Option

FEATURES

- Internal communication card eliminates the need for external protocol converters.
- Supports: BACnet IP, BACnet MS/TP, Metasys N2, Modbus TCP, AB Ethernet IP, AB DF1, LonWorks*
- Easy to configure via the Web Interface.
- Dedicated internal LonWorks is also available
- Dedicated internal RS485 Modbus RTU is also available

DESCRIPTION

The multi-protocol communication card is an internal, high performance, Building Management System communication solution for the ST2 flow computer family. The card provides an instant interface, enabling the KEP flow computers to communicate with multiple BMS protocols, including:

- BACnet MS/TP
- BACnet IP
- Modbus TCP
- Metasys N2
- AB DF1
- AB EtherNet/IP
- LonWorks*

CONFIGURATION

Use a web browser to locate the internal web page and configure the settings. The detailed settings vary with the different communication protocols. Only one communication port/protocol can be used. A web browser is also used to configure the site specific settings for each instrument

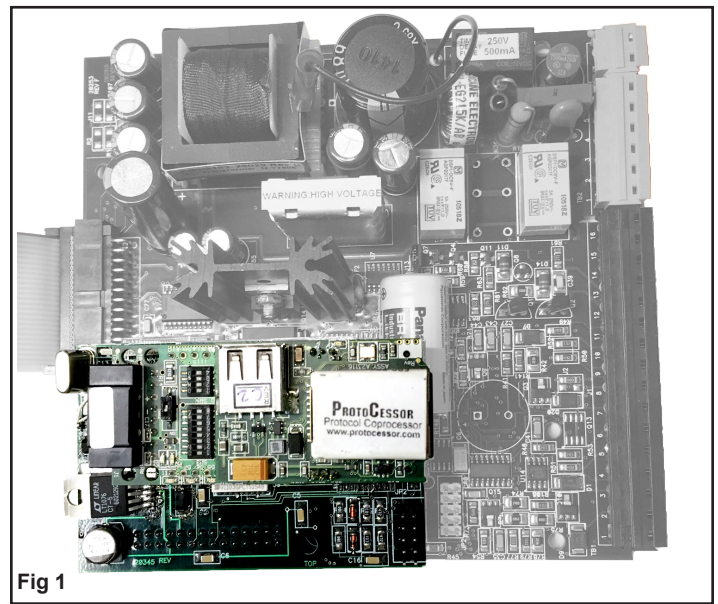


Fig 1

Top view of multi-protocol card installed on ES749 mother board

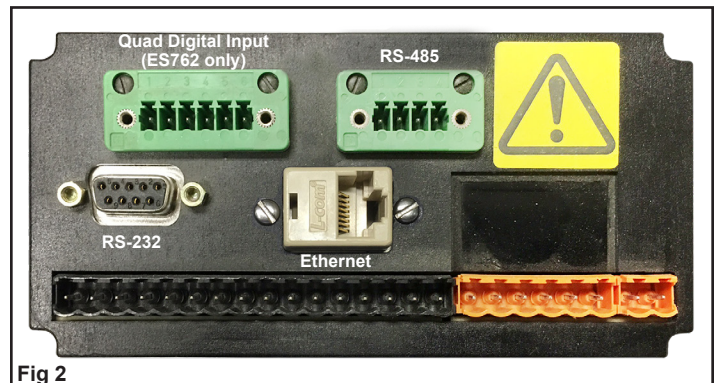


Fig 2

Rear view of ES749 case.
Communication ports are available for RS-485 and Ethernet

The Web Interface makes it easy to configure.

Configuration Parameters

Parameter Name	Parameter Description	Value	
protocol_select	Protocol Selector Set to 1 for BACnet IP Set to 2 for BACnet MSTP Set to 3 for Metasys N2 Set to 4 for Modbus TCP Set to 5 for EtherNet/IP Set to 6 for DF1	<input style="width: 100%;" type="text" value="1"/>	Submit
node_offset	BACnet Node Offset This is used to set the BACnet device instance. The device instance will be sum of the Modbus device address and the node offset. <i>(0 - 4194303)</i>	<input style="width: 100%;" type="text" value="50000"/>	Submit
bac_ip_port	BACnet IP Port This sets the BACnet IP port of the Gateway. The default is 47808. <i>(1 - 65535)</i>	<input style="width: 100%;" type="text" value="47808"/>	Submit
bac_cov_option	BACnet COV This enables or disables COVs for the BACnet connection. Use COV_Enable to enable. Use COV_Disable to disable. <i>(COV_Enable/COV_Disable)</i>	<input style="width: 100%;" type="text" value="COV_Disable"/>	Submit
bac_bbmd_option	BACnet BBMD This enables BBMD on the BACnet IP connection. Use BBMD to enable. Use - to disable. The bdt.ini files also needs to be downloaded. <i>(BBMD/-)</i>	<input style="width: 100%;" type="text" value="-"/>	Submit

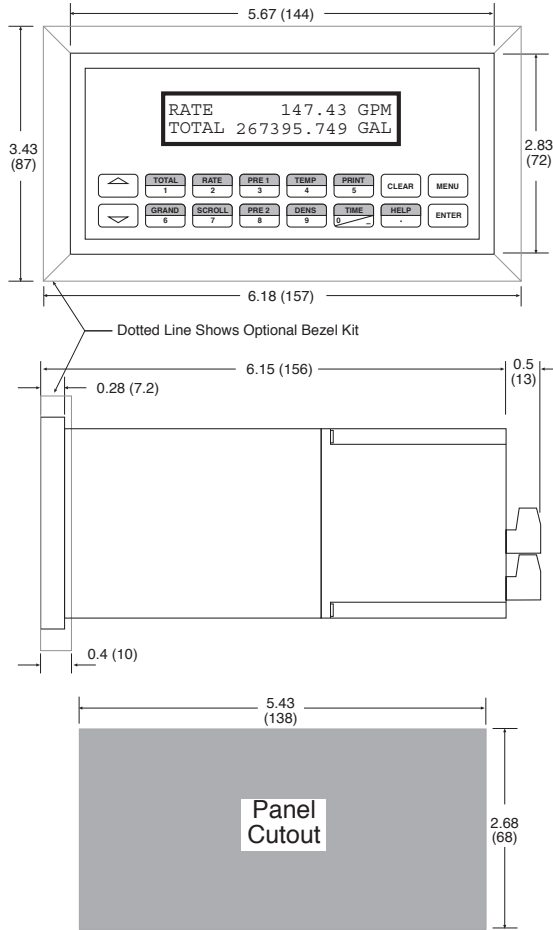
Active profiles

Nr	Node ID	Current profile	Parameters	
1	1	BAC_IP_SUPERtrol_II		Remove

Add

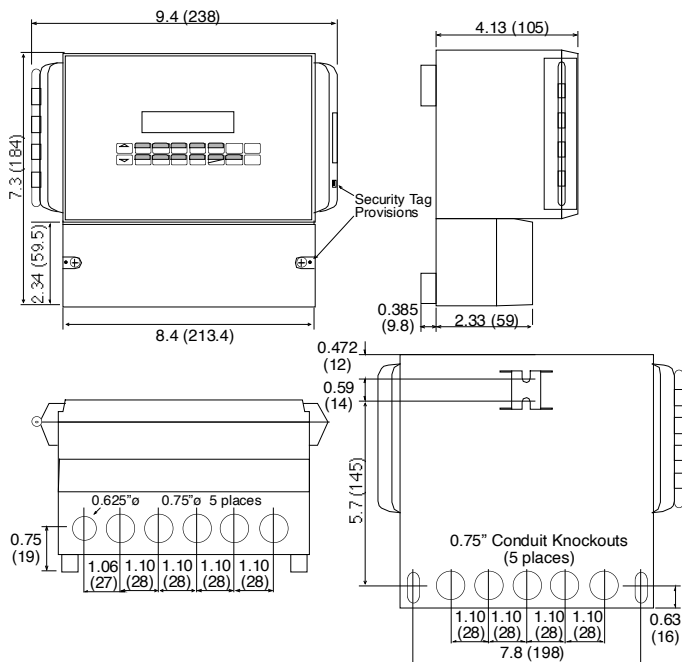
Sample screen shot of web interface configuration

Dimensions



Dimensions are in inches (mm)

Wall Mount (option W)



ES759

Example	ES759	L	1	0	P	TB
Series:	ES759 = Utility Metering Flow Computer					
Display Type:	L= LCD O= OLED V= VFD					
Input Type:	1= 85 to 276 VAC 3= 24 VDC					
Network Card:	0= None 1= RS485/Modbus 3= COM CARD with Multi-Protocol Specify protocol (example: 3 BAC/IP) BAC/IP = BACnet IP BACMS/TP = BACnet MS/TP MOD/IP = Modbus TCP/IP METASYS/N2 = Metasys N2 ABDF1 = AB DF1 ABETH/IP = AB EtherNet/IP 4= COM CARD with LonWorks Protocol Specify protocol (example: 4 LONWORKS) Factory configuration of network card settings					
Mounting:	P= Panel Mount N= NEMA 4 Wall Mount (see MS811) W= NEMA 12/13 Wall Mount w/ Clear Cover E= Explosion Proof (No Button Access)					
Options:	9 = 3 Relay Super Chip (Includes: Peak Demand, AGA NX-19 calculation for natural gas, Stacked DP option, Datalogger option, Stack Emissions Controller option, Manifold Flowmeter Controller option) 10 = 2 Relay Super Chip (Includes: Peak Demand, AGA NX-19 calculation for natural gas, Stacked DP option, Datalogger option, Stack Emissions Controller option, Manifold Flowmeter Controller option) 13 = Superchip; 2 relay, Positive heat only 14 = Superchip; 3 relay, Positive heat only 22 = Superchip; 2 relay, For use with 4 terminal multi-variable vortex meters 26 = Superchip; 3 relay, For use with 4 terminal multi-variable vortex meters TM = Trap monitor RS485 network card IM = Internal Modem M = Modem Power Option ET= Extended Temperature LCD Display TB= RS485 Terminal Block for Panel Mount Enclosure					

Accessories:

ST2 SETUP PRO - Advanced setup software for ST2 family
 OPC/DDE Server for RS232 Port available, see KWP-UCOND0-PRD
 OPC/DDE Server for Modbus Suite available, see KWP-MDBUS0-PRD
 Modem Available, see MPP-2400N
 Serial printer available, see P20, P220, P295, PMi190, PMi2200
 Ethernet Port Server available, see IEPS
 RS-422/485 to RS-232 Communication Adaptor available, see CA285
 RS232 Extender Cable: P/N=13220-<length in inches>
 Remote metering and data collection software available, see TROLLink