

DT20 Series

Day Timer with 20 Programmable Presets

Features

- 24-Hour or 7-Day applications
- 20 setpoint programs
- 3 preset adjustable block programs
- Easy-to-follow menu driven programming
- Manual override with status indication
- Battery backup
- Basic Module, DIN Rail Mount or Surface Mount available
- Large LCD
- Clear dust-cover

The DT20 is a compact electronic 24 hour/7 day time switch module, with heavy duty relay contacts for switching low or line voltage loads. Applicable for time of day control of pumps, fans, heaters, HVAC control circuits, lighting, machinery and many other types of commercial, industrial, and agricultural equipment.

TECHNICAL DATA:

Power Consumption:

4VA

Supply Voltage:

24, 120, 240 VAC

Switch Rating:

SPDT relay

N.O.

Contact: 1/2 HP, 120 VAC

1 HP, 240 VAC

12A, Ballast 120 VAC

8A, Ballast 240 VAC

720 VA, 240 VAC Pilot Duty

360 VA, 120 VAC Pilot Duty

600W, Tungsten 120 VAC

1000W, Tungsten 240 VAC

N.C.

Contact: 16A, 277 VAC

Resistive

8A, 24 VDC

360 VA, 120 VAC Pilot Duty

Wiring Connections:

Standard Module: ¼" quick

connect spade lugs

DTA-D (DIN Rail) &

DTA-B (Surface Mount):

Screw terminals

Operating Temperature:

-13°F to 131°F

(-25°C to 55°C)

(limited display function

at -13°F)

Warranty:

Limited 1 year

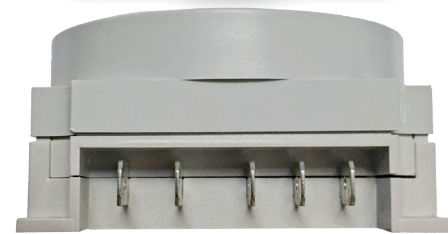
Approvals:

UL and Canadian

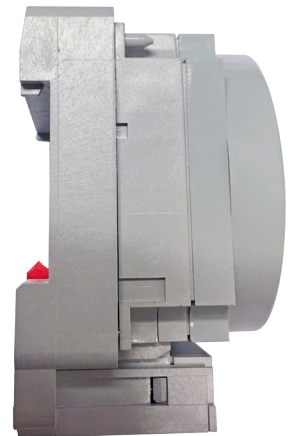
UL recognized: File E83486

MOUNTING OPTIONS:

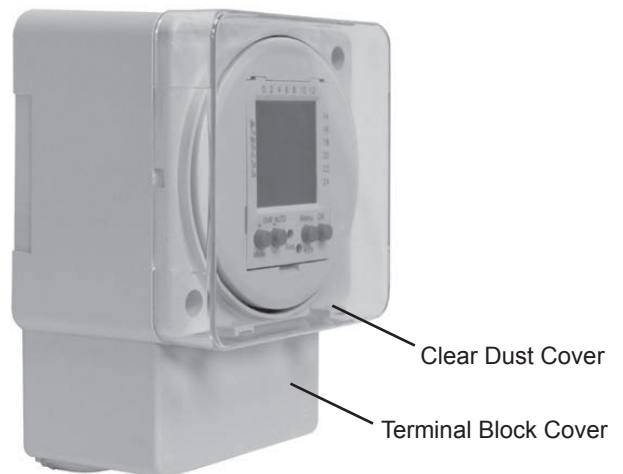
The standard DT20 models may be surface mounted inside an enclosure sub-panel or surface mounted with DTA-B surface mounting kit, available from KEP. DIN Rail Mounting is available with DTA-D mounting kit. An outdoor NEMA 3R (DTA-E200) enclosure is also available for stand-alone mounting.



DT20: Standard Module with Spade Lugs



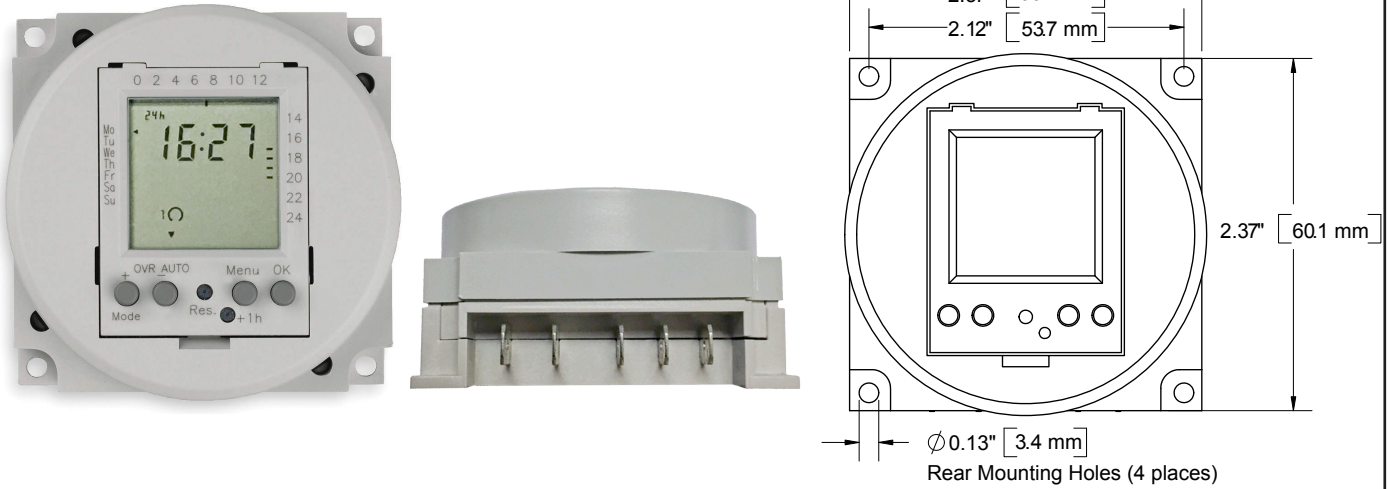
DTA-D: DIN Rail Mount with Terminal Block



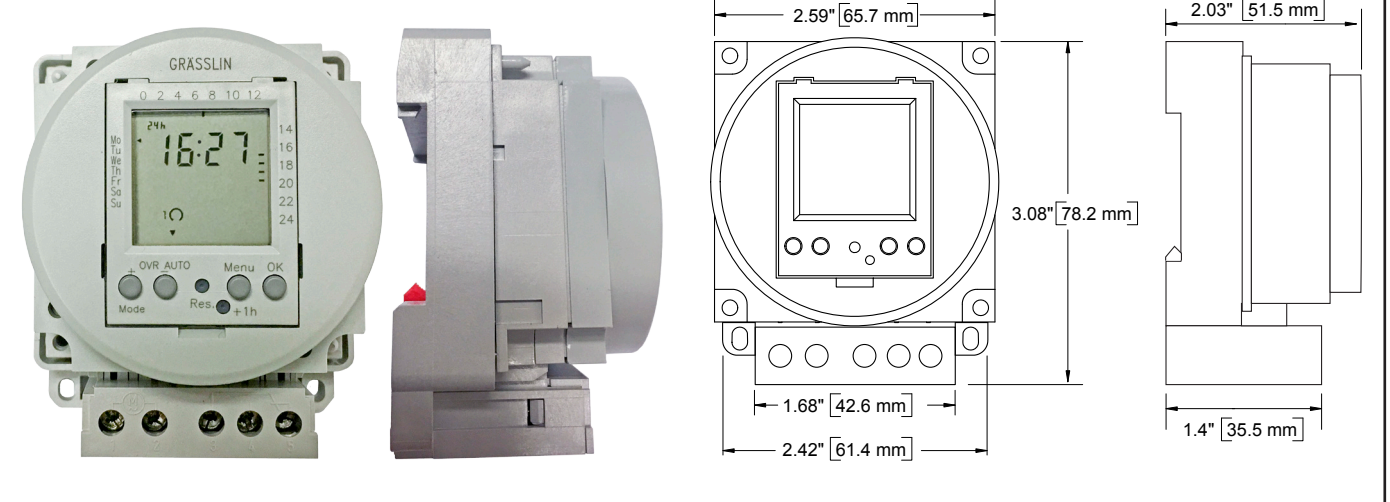
DTA-B: Surface Mount with Terminal Block

MOUNTING OPTIONS

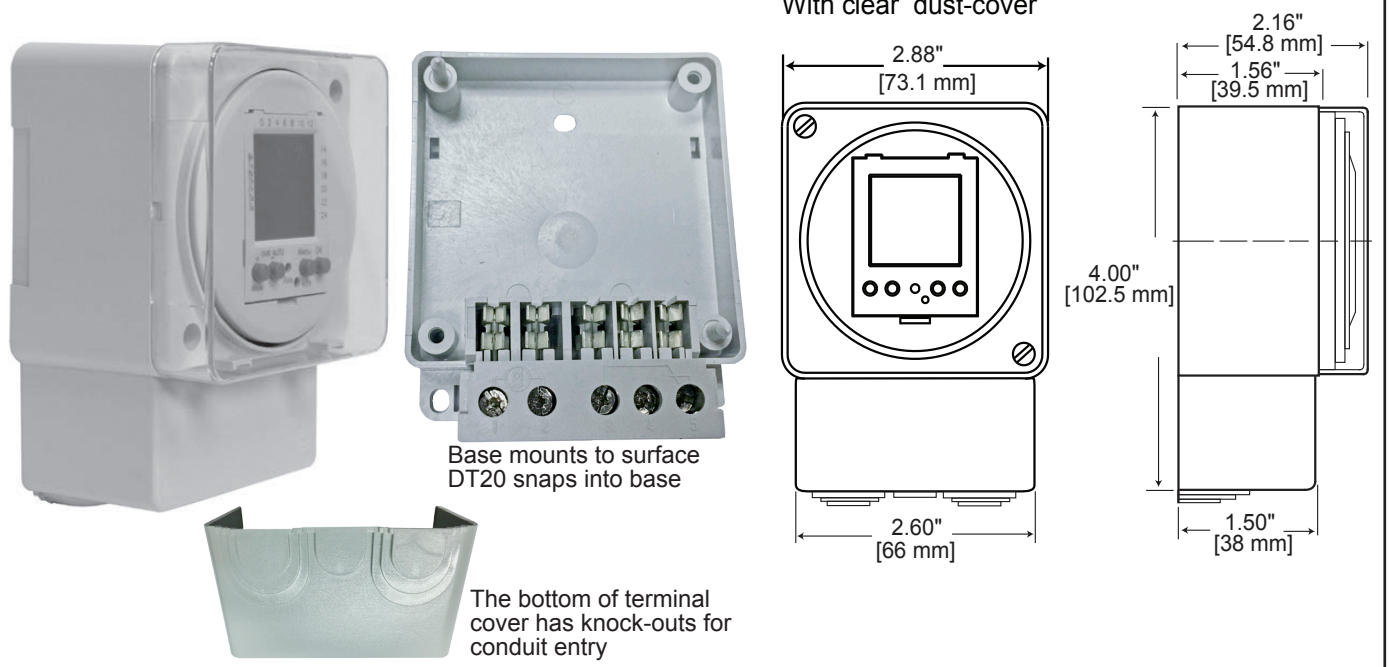
DT20: Standard Module Only with Spade Lugs



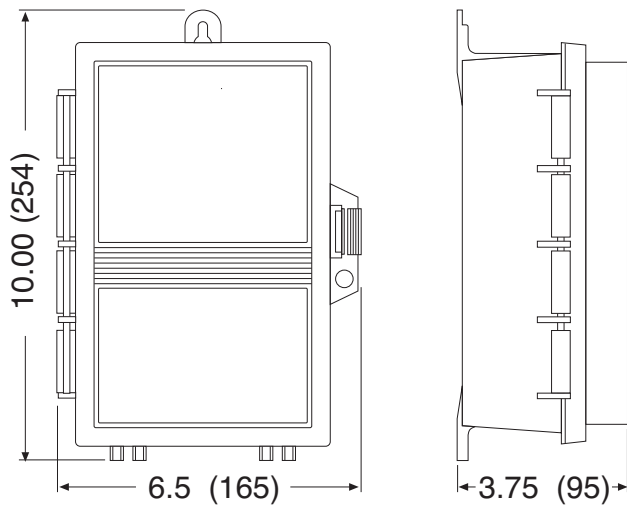
DTA-D: DIN Rail Mount with Terminal Block



DTA-B: Surface Mount with Terminal Block



**ADDITIONAL MOUNTING OPTIONS:
E200 (Outdoor NEMA 3R Raintight Enclosure)**



DT20 Day Timer

How To Order:

Example: DT20 A

Series: DT20 = Day Timer

Operating Voltage: A

- A= 110 VAC
- B= 220 VAC
- C= 24 V AC/DC

Mounting Accessories

- DTA-D= DIN Rail Mount Housing
- DTA-B= Surface Mount Housing
- DTA-E200= Outdoor Enclosure

TERMINAL CONNECTIONS

