

# CTR52U

## Multipurpose Device Counter, Rate Meter and Timer

### Features

- Universal, with dual functions, also suitable as maintenance counter
- 2 pulse or time counters for measuring daily and total values
- Count frequency 60 kHz
- Four dual functions in one device, saves on inventory costs
- Separate multiplication and scaling factor for pulse & frequency counter
- Combination Unit Can Be Programmed as:
  - Total / Tacho
  - 2 Totalizers
  - Total / Timer
  - 2 Timers

### Specifications:

- Supply** 10 ... 30 V DC,  
**voltage:** with reverse polarity protection  
**Current consumption:** max. 40 mA  
**Display:** 6 digit red 7 segment LED display; 8 mm high  
**Data backup:** EEPROM  
**Housing:** Dimensions 48 x 24 mm (1.89" x 0.945")  
according to DIN 43 700; RAL 7021, grey  
**Polarity of Inputs:**  
programmable, npn or pnp for all inputs  
**Input resistance:**  
appr. 5 k $\Omega$   
**Counting frequency:**  
max. 60 kHz, can be damped to 30 Hz  
**Reset time:** 5 ms  
**Resolution counter:**  
0.001 sec ... 999999 hr  
**Input switching level**  
**Standard version:**  
Low: 0 to 0.2 x Input Power Voltage  
High: 0.6 x Input Power Voltage to 30VDC  
**5 V version:**  
Low 0 ... 2 V DC  
High 12 ... 30 V DC  
**Accuracy:** <0.1 % (Frequency display/Rate meter)



### Operating modes:

Electronic totalizer and frequency counter, counter with 2 totalizing ranges, totalizer and timer, timer with 2 time ranges

### Ambient temperature:

-20 ... +50 °C (14°F ... 158°F), non-condensing

### Storage temperature:

-25 ... +70 °C (-13F ... 158F)

### EMC:

according to EC EMC directive 89/36/EWG

### Immunity to interference:

EN 61000-6-4/EN 55 011 class B

### Emitted interference:

EN 61000-6-2

### Protection:

IP65 (from front)

### Weight:

appr. 50 g

### Ordering Information

Example CTR52U 0

Series: \_\_\_\_\_

Input Level: \_\_\_\_\_

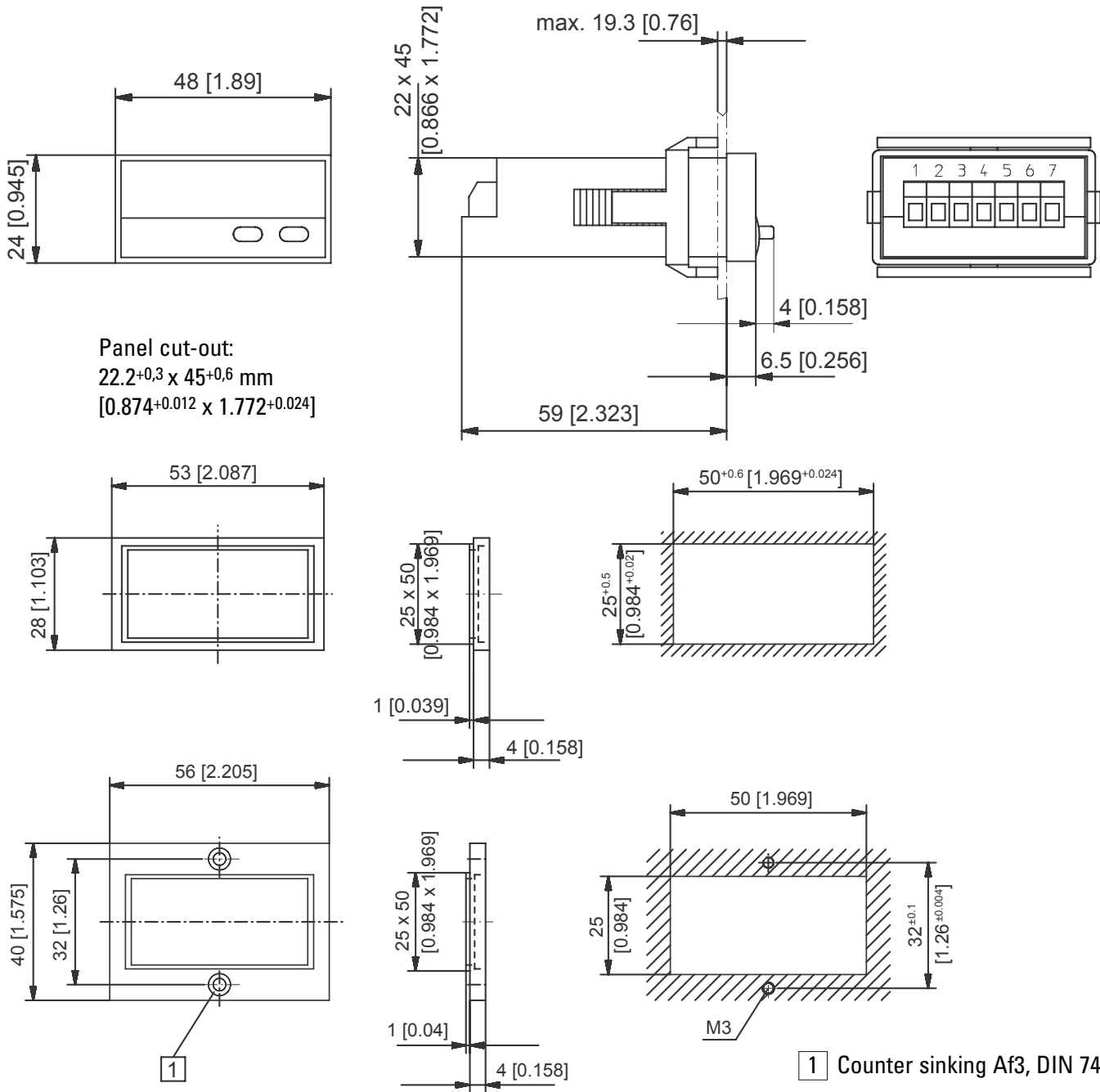
- 0= Standard
- A= 5V level

### Accessories

NEMA4 wall mount enclosures available see NEMA-32 & LCN4X  
32DINRAIL - DIN Rail Mounting Frame  
DR-4 - 4" DIN Rail

RoHS Compliant

**Dimensions:**



**Connections:**

- 1 10 ... 30 V DC
- 2 0 V GND
- 3 INP A
- 4 INP B
- 5 Reset

