

CRT54U

Multipurpose Device Counter, Rate Meter and Timer

Features

- Universal, with dual functions, also suitable as maintenance counter
- 2 pulse or time counters for measuring daily and total values
- Count frequency 60 kHz
- Four dual functions in one device, saves on inventory costs
- Separate multiplication and scaling factor for pulse & frequency counter

Specifications:

Supply: 10 ... 30 V DC, with reverse polarity protection

voltage: 90 ... 260 V AC

Current consumption:
max. 50 mA, 6 VA

Display: 6 digit red 7 segment LED display; 14 mm high

Data backup:
EEPROM

Housing: Dimensions 96 x 48 mm according to DIN 43 700;
RAL 7021, grey

Polarity of Inputs:
programmable, npn or pnp for all inputs

Input resistance:
appr. 5 k Ω

Counting frequency*:
60 kHz, can be damped to 30 Hz depending on operating mode

Reset time: 5 ms

Input switching level

DC-version: (standard version):
Low: 0 ... 0.2 x UB [V DC]
High: 0.6 x UB ... 30 V DC

AC-version:
Low 0 ... 4 V DC
High 12 ... 30 V DC

Input switching level (5 V version):
Low 0 ... 2 V DC
High 4 ... 30 V DC

Voltage supply for sensors:
24 V DC \pm 15 %/100 mA at AC versions

Accuracy: <0.1 % (Frequency display/Rate meter)

Ambient temperature:
-20 ... +65 °C, non-condensing

Storage temperature:
-25 ... +70 °C

EMC: according to EC EMC directive 89/36/EWG

Immunity to interference:
EN 61000-6-4/EN 55 011 class B

Emitted interference:
EN 61000-6-2

Protection: IP65 (from front)

Weight: appr. 150 g



Applications:

Preset batch counting, length measuring, simple positioning, time control, speed control, rate control.

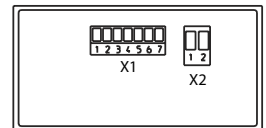
Operating modes:

Adding counter and frequency meter, counter with 2 totalizing ranges, totalizer and time meter, time meter with 2 time ranges.

Wiring:

Connection X2

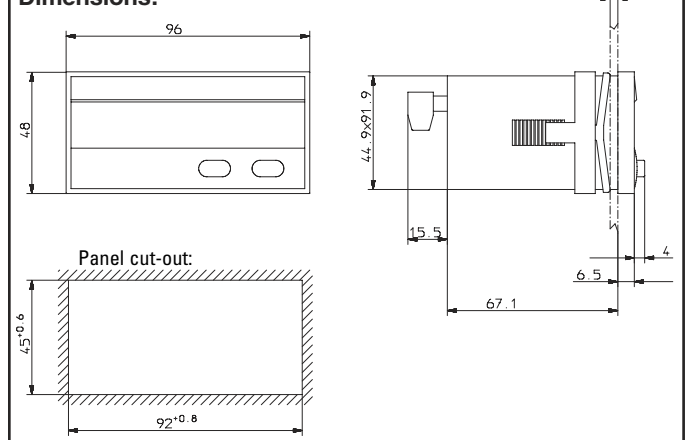
Pin	AC-Version	DC-Version
1	90 ... 260 V AC	0 V DC (GND)
2	90 ... 260 V AC	10 ... 30 V DC



Connection X1

Pin	AC-Version	DC-Version
1	n.c.	
2	n.c.	
3	Reset	
4	INP B	
5	INP A	
6	GNDout	n.c.
7	+24 Vout	n.c.

Dimensions:



Ordering Information

Example CRT54U 0 0

Series: _____

Input Level: _____

0= Standard

A= 5V level

Power Supply: _____

0= 90 to 260 VAC

3= 10 to 30 VDC