

AMP-1

Preamp & Signal Conditioner for Magnetic Pickups

Features:

- Ultra Low Speed to 15 kHz Operation.
- 20 mV to 50 V Sensitivity.
- 100 mA Current Sinking Output.
- 11 to 26 VDC Power Supply Range.
- Easy Mount Metal Housing.
- Screw Terminal Hookup.

Description:

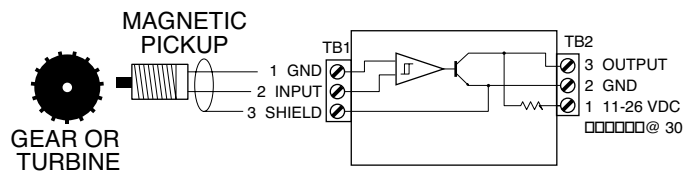
The KEP AMP 1 amplifies the low level signals from a magnetic pickup or flow transmitter by a factor of more than a hundred times to drive any ratemeter, counter or controller. The unit uses only 30 mA and operates from 11 to 26 VDC. It has a 2.7K pullup resistor attached to the open collector output and sinks a minimum of 100 mA to less than 1 V from a maximum of 26 VDC. It is mounted in a rugged 2" x 3" metal housing with screw terminals for easy installation. Operating temperature is 32 to 140° F (0 to 60° C).

Note: The low voltage line from the magnetic pickup to the AMP-1 should be less than 10 ft. in length, shielded and isolated from relays, solenoids or other sources of electrical noise (let the output line make the long run). If the input is too sensitive, lower the 1.1K input impedance by adding a 220 to 1K ohm resistor across TB1, pins 1 and 2, to increase noise immunity.

A special version, the AMP1-10k, is available with 10 kΩ impedance for use with turbine and paddle wheel flowmeters.

Listing: CE Compliant

Sample Hookup :



Ordering Information

Part Number

- AMP 1:** Standard unit
AMP-1-10k: AMP-1 with 10 kΩ input impedance
AMP-1-N: AMP-1 for Nemur Sensors

Options:

- E - Explosion Proof Housing (add E to end of part number)
 N4 - NEMA4X Enclosure (add N to end of part number)
 NEMA4X Options:
 2H2 - Two 0.875" Holes for Hub fittings
 2HF2 - Two 0.5" Female NPT Hub fittings

AMP-1-N

Preamplifier & Signal Conditioners For NAMUR Sensors

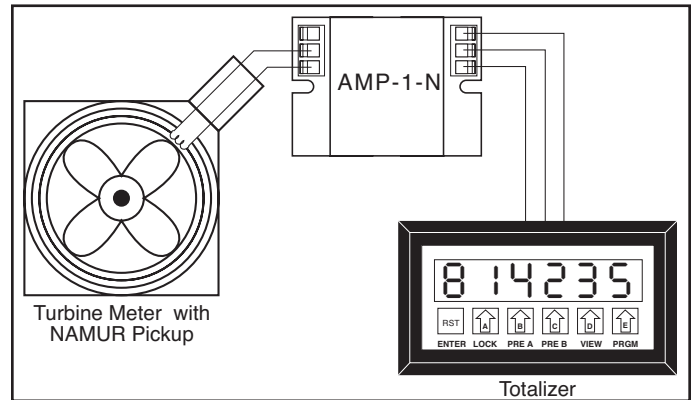
Features:

- NAMUR Compatible Sensitivity.
- 100 mA Current Sinking Output.
- 11 to 26 VDC Power Supply Range.
- Easy Mount Metal Housing.
- Screw Terminal Hookup.

Description

The KEP AMP-1-N powers and conditions the low level signals from NAMUR pickups, sensing gear teeth movement or flow, and provides a high level pulse output suitable to drive any KEP ratemeter, counter or controller.

Application



Specifications

Environmental

- Operating temperature: 32° to 140° F (0° to 60° C)
 Storage temperature: -40° to +85° C
 Humidity: 0 - 95% non-condensing

Power Input

- Power requirement: 11-26VDC; 30mA maximum
 Sensor Supply: 8VDC ± 1 VDC

Input Characteristics

- Input impedance: 1000 ohm nominal
 Input frequency : 0 - 10kHz
 Input current: High: > 3mA
 Low: < 1 mA

Output Characteristics

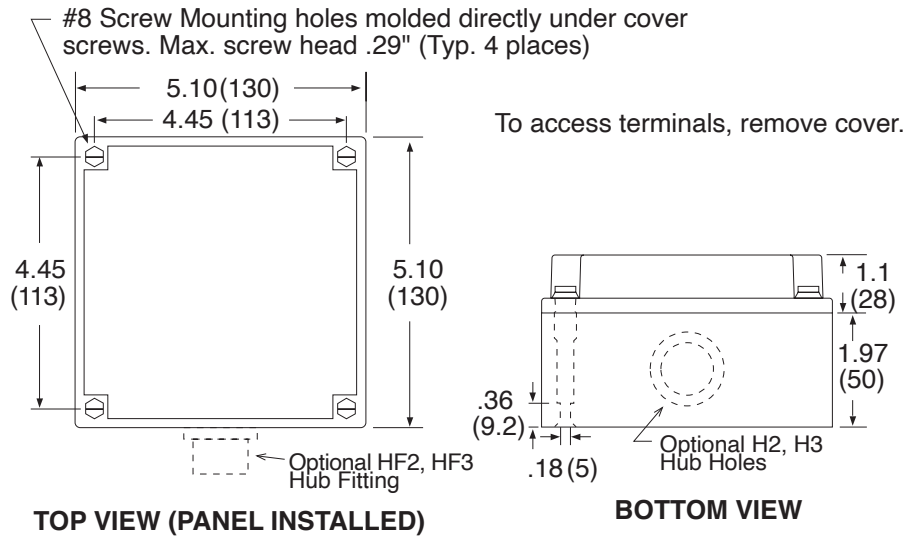
- Output Type: Open collector with internal 2700 ohm pull-up resistor to supply voltage.

- Max. sink current: 100mA sink to 1V or less

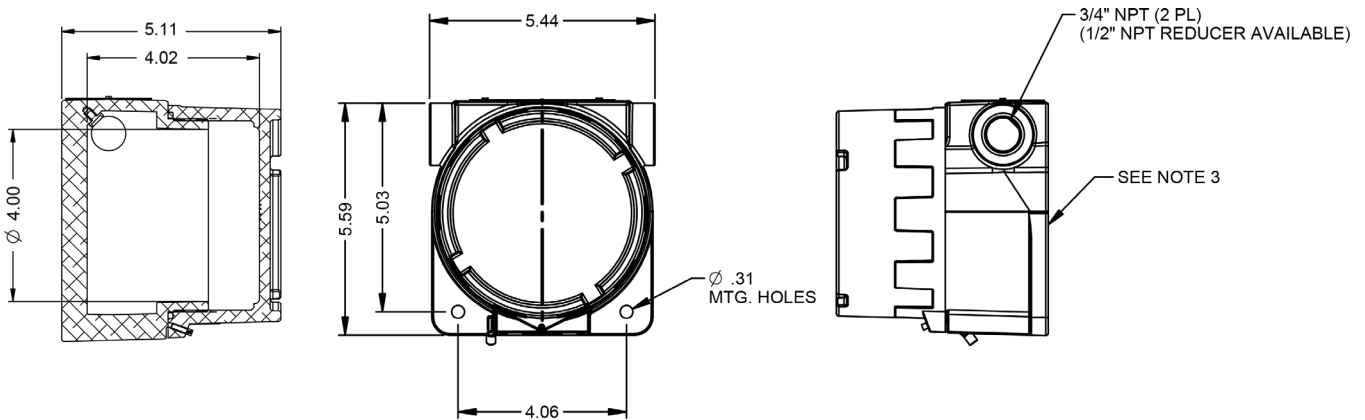
Approvals:

- CE approved; Light Industrial
 Fast transient: 500V (capacitive clamp)
 EMI: No effects at 3V/m
 ESD: 8kV (case grounded)

NEMA4X Mounting (N4 Option):



Explosion Proof Housing (E Option):



Kessler-Ellis Products

10 Industrial Way East
Eatontown, NJ 07724

800-631-2165

732-649-7100

www.kep.com