

AMB-2003/2023

10.4" or 12.1" Modular System Industrial Panel PC

Features

- 10.4" or 12.1" SVGA color TFT LCD display
- Heavy-duty steel chassis and NEMA 4/12 compliant plastic front panel
- All-in-one Celeron 366MHz SBC
- Brightness and LCD power on/off controller on the aluminum alloy front panel (aluminum front panel optional)
- 16-bit stereo digital audio (optional)
- Four 16C550 RS-232C ports, one RS-232C port can also be set as RS-422/485
- Disk Driver Space for CD-ROM, FDD & HDD
- DiskOnChip flash disk socket
- Two PCI or One ISA and One PCI

Introduction

The AMB-2003/2023 series panel PC's are industrial computers that are designed for industrial environments.. They are a full function PC-base system with a 12.1" SVGA (800 x 600) color TFT hi-brightness, long-life time LCD display. The compact dimensions are ideal for automation applications where the installation space is critical. These PC's are characterized by their space saving feature and flexible selection of hardware. The AMB-2003/2023 series panel PC's feature a heavy-duty steel chassis with a sealed plastic front panel that meets the toughest industrial and environmental standards.



Specifications for AMB-2003

Construction: Heavy-duty steel chassis & NEMA 4/12

CPU: Celeron 366MHz

Memory: 32M DRAM

Display: 10.4" VGA (640 x 480) TFT color LCD

LCD/CRT controller: Chips 69000 VGA controller 2MB SDRAM embedded. CRT & LCD panel support.

I/O ports: 2 serial ports: one RS-232, one RS-232/422/485, 1 parallel port (support ECP/EPP), 1 keyboard port, 1 PS/2 mouse interface

Disk Drives: HDD and FDD

CD-ROM: Optional CD-ROM space

USB connector: Pin head for Dual USB port

Expansion: Two PCI or one ISA, one PCI

Mounting: Panel mount

Power supply: Universal 70W switching power supply

Dimension: (W x H x D) 306 x 228 x 128 mm

Gross Weight: 6.5 Kg

Specifications for AMB-2023

(12.1" LCD+ACS-2303)

Construction: Heavy-duty steel chassis & NEMA 4/12 plastic front panel.

CPU: Celeron 366MHz

Memory: 32M DRAM

Display: 12.1" SVGA (800 x 600) TFT color LCD

LCD/CRT controller: Chips 69000 VGA controller 2MB SDRAM embedded. CRT & LCD panel support.

I/O ports: 2 serial ports: one RS-232, one RS-232/422/485, 1 parallel port (support ECP/EPP), 1 keyboard port, 1 PS/2 mouse interface

Disk Drives: HDD and FDD

CD-ROM: Optional CD-ROM space

USB connector: Pin head for Dual USB port

Expansion: Two PCI or one ISA, one PCI

Mounting: Panel mount or Wall mount (ACS-2303 control Box only, optional)

Power supply: Universal 70W switching power supply

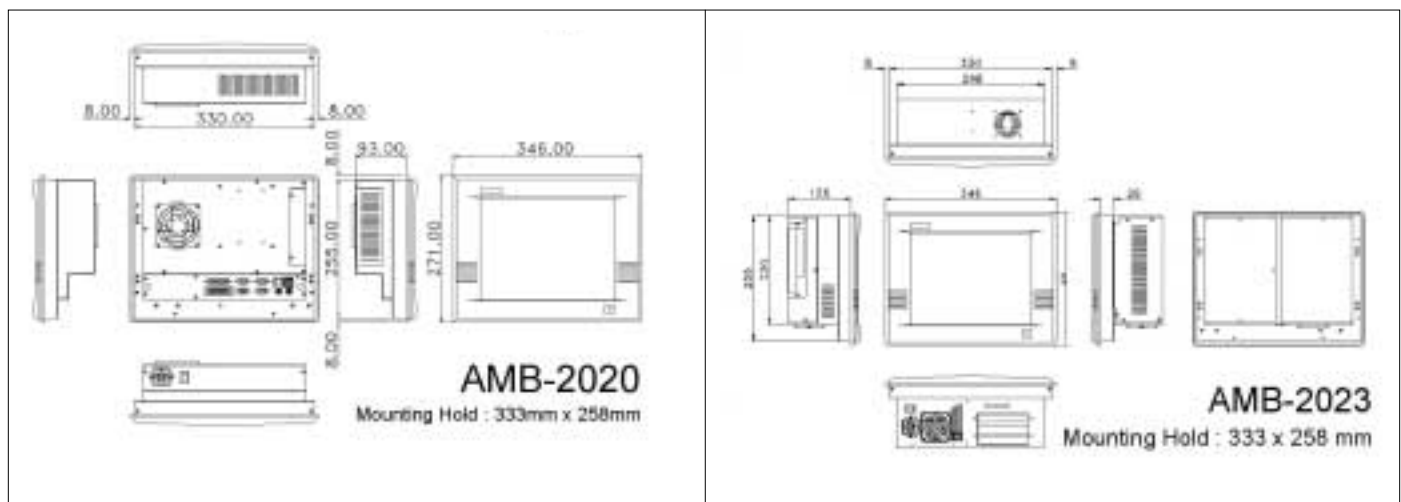
Dimension: (W x H x D) 330 x 255 x 126 mm

Gross Weight: 6.5 Kg

LCD Specifications

Model:	AMB-2003	2023
Display type:	10.4" TFT color LCD	12.1" TFT color LCD
Max. resolution:	640 x 480	800 x 600
Max. colors:	256K	256K
Dot size (mm):	0.33 x 0.33	0.308 x 0.308
Luminance (cd/m²):	200	200
Viewing angle:	90° (h) 50° (v)	110°
Temperature:	0° ~50° C	0° ~50° C
VR Controller:	Yes	Yes
LCD MTBF (Hrs):	50,000	50,000
Back Light MTBF (Hrs):	25,000	25,000

Dimensions



Ordering Information

AMB 2003

Part Number	Description
2003HT	10.4" TFT Color LCD (200 cd/m) Intel Celeron 366MHz CPU

Options (add to end of Part Number)

T	Touchscreen
24V	24V power instead of 120VAC power
12V	12V power instead of 120VAC power
64M	Memory expanded to 64MB
128M	Memory expanded to 128MB
NTW	Windows NT 4.0 Workstation Installed
NTS	Windows NT 4.0 Server (5 lic.) Installed
INTCD	Internal Slim CDROM
EXTCD	External CDROM Drive
ILINK	Infilink Software Installed. Unlimited Tags, Any Driver

AMB 2023

Part Number	Description
2003HT	12.1" TFT Color LCD (250 cd/m) Intel Celeron 366MHz CPU

Options (add to end of Part Number)

T	Touchscreen
24V	24V power instead of 120VAC power
12V	12V power instead of 120VAC power
64M	Memory expanded to 64MB
128M	Memory expanded to 128MB
NTW	Windows NT 4.0 Workstation Installed
NTS	Windows NT 4.0 Server (5 lic.) Installed
INTCD	Internal Slim CDROM
EXTCD	External CDROM Drive
ILINK	Infilink Software Installed. Unlimited Tags, Any Driver