

5800 Series

Incremental Shaft Encoder

Features:

- Low Cost
- Short Circuit Resistant Outputs
- Rugged Design to Industry Standard
- Low Power Consumption
- Shock Resistant



Mechanical Characteristics

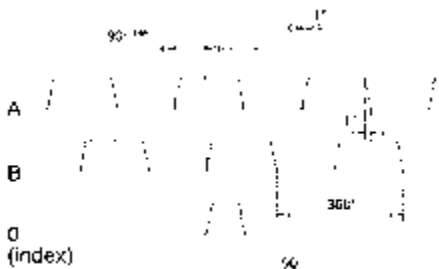
Speed:	max. 6000 RPM (12000 RPM above 600 PPR)
Rotor Moment of Inertia:	$1.8 \times 10^{-6} \text{ kgm}^2$
Torque:	<0.01 Nm
Radial Load Capacity of Shaft:	20 N (at shaft end)
Axial Load Capacity of Shaft:	10 N
Weight:	Approx. 0.4 kg
Protective System to DIN 40.050:	Shaft IP64, Cover (IP50 w/ connector)
Operating Temperature Range:	0° C to +50° C (-20 °C to 70°C above 600 PPR)
Shaft:	Stainless Steel

Electrical Characteristics

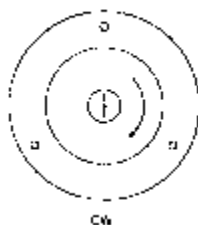
Output Circuit:	Push-Pull Circuit
Supply Power:	10-30 VDC
Current Consumption: (no load)	max. 50 mA (75 mA with reference)
Permissible Load / Channel:	max. $\pm 30 \text{ mA}$
Pulse Frequency:	max. 20 kHz (100 kHz above 600 PPR)
Signal Level High @ 30 mA:	Supply Voltage minus 2.5V (7.5 to 27.5V)
Signal Level Low @ 30 mA:	max. 1.5V
Signal Level Low @ 1 mA	max. .7V
Rise Time:	max. 1 μs
Fall Time:	max. 1 μs
Short Circuit Proof Outputs:	yes
Standard Pulses Per Revolution	60, 250, 600
Available Pulses per Revolution	10, 20, 30, 40, 50, 60, 80, 96, 100, 120, 125, 127, 150, 180, 200, 216, 220, 240, 250, 254, 256, 280, 300, 314, 360, 400, 420, 450, 500, 512, 600, 625, 720, 750, 800, 900, 1000, 1024, 1250, 1270, 1400, 1500, 1800, 2000, 2048, 2400, 2500, 3000, 3600, 4000, 4096, 5000
Other Pulses Per Revolution available upon request	Consult Factory

Approvals: CE

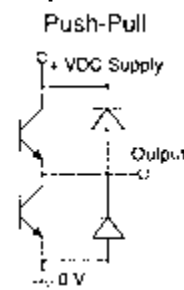
Pulse Pattern



Direction of Rotation

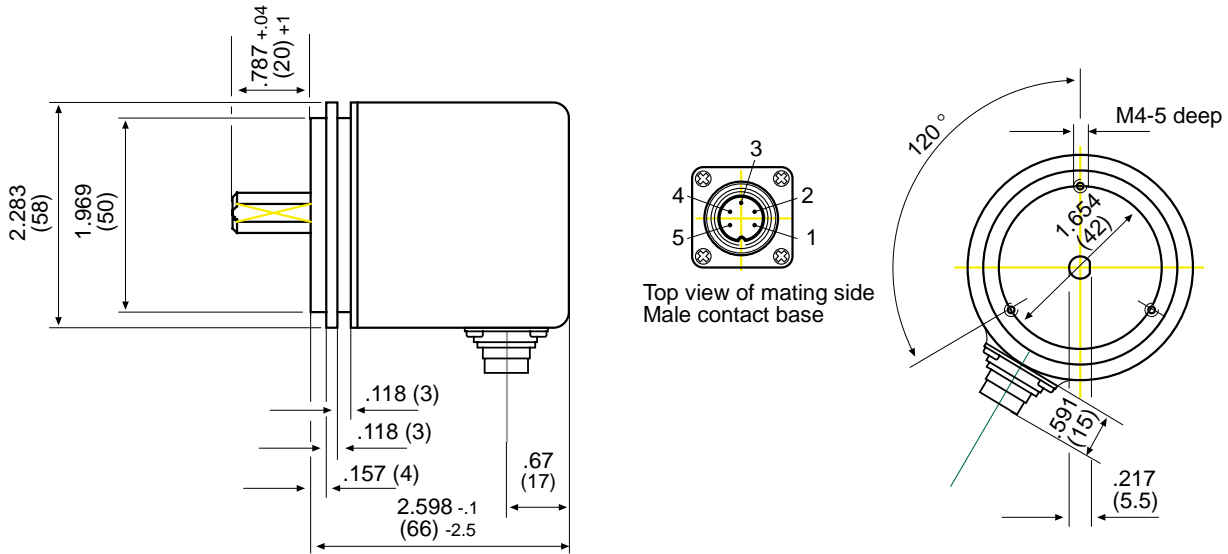


Output Circuit

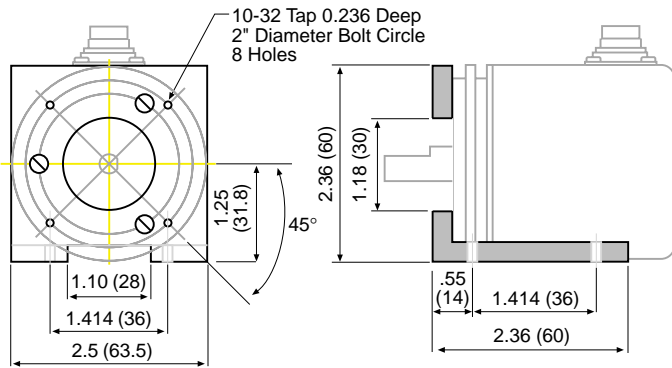


Dimensions:

Flange 2: synchronous flange dimensions are in inches (mm)



5810AM1: Angle Bracket dimensions are in inches (mm)



Terminal assignment:

Pin#	Signal
1	0V (-DC)
2	+DC
3	A
4	B
5	O
*	Ground

* Ground is connected to housing.

How To Order:

Example 5810 2 3 1 6 0250

Series	_____
Range	_____
2 = synchronous flange	
Shaft (D x L)	_____
3 = .250" x .79" (6.35mm x 20mm)	
4 = .375" x .79" (9.53mm x 20mm) [bushing for .250 dia.]	
5 = .394" x .79" (10mm x 20mm) [bushing for .250 dia.]	
Version	_____
1 = channel A	
2 = channels A + O (Special Order)	
3 = channels A + B	
4 = channels A + B + O (Special Order)	
Type of Connection	_____
5 = connector radial without mating connector	
6 = connector radial with mating connector	
Pulse Per Revolution	_____

(STD for Quick Delivery: 0060, 0250, 0600)

Price Break per PPR

- 0001-0250
- 0251-0600
- 0601-1500
- 1501-2500
- 2501-5000

Accessories

- 5810AM1= Angle Mount Bracket 2.5"
- 5810AB.375= .250" x .375"mm Bushing
- 5810AB10= .250" x 10mm Bushing
- 5810AC= Mating Connector 5810/9010