

134K-135K

Battery Powered Hour Meters with LCD Display

Features

- Low price and high efficiency
- Large (8 mm) 8-digit LCD display,
- Optional backlighting
- Different time ranges from 0.1 second to 100,000 hours
- 0.1 second synchronization makes it suitable for very short activation times
- High voltage input for 10 to 260 V AC/DC voltage pulses
- Very high accuracy: 100 ppm
- NEMA4/IP65 Front Panel
- Screw terminals, RM 5 mm



- Lifetime of the battery approximately 8 years
- Locking of the reset key
- Operating temperature -10 to $+60$ °C

Technical data

Power supply: non-replaceable lithium battery (lifetime approximately 8 years at 20°C)

Backlighting: external electrical source 24 V DC $\pm 20\%$, 50 mA

Display: LCD, 8 decades, 8 mm high characters

Display range: -9999999 to 99999999 , with overflow display

Reset: manual and electrical

Timing inputs:

A. Standard DC Input (max. 30 V DC)

NPN or PNP

Switching level:

NPN: Low: 0 to 0.7 V, High: 3 to 30 V DC

PNP: Low: 0 to 0.7 V, High: 4 to 30 V DC

B. High Voltage Input (10 to 260 V DC/AC)

Timing input: Optocoupler input, max. 30 Hz

Min. pulse time: 16 ms

Switching level: Low: 0 to 2 V DC/AC, High: 10 to 260 V DC/AC

C. Timing range switching (Mode)

Time Range: see order table

Contact input:

Open Collector NPN (switching at 0 V DC)

Switching level:

NPN: Low: 0 to 0.7 V, High: 3 to 5 V DC

D. Reset Input (only DC and high voltage)

Minimum pulse time:

DC: 50 ms, high voltage: 16 ms

Contact input DC*:

NPN: Low: 0 to 0.7 V, High: 3 to 30 V DC

High voltage input: 10 to 260 V DC/V AC

E. Electrical reset key locking (for DC and AC)

Input not active: Reset key locked

Contact input:

Open Collector NPN (switching at 0 V)

Switching level:

NPN: Low: 0 to 0.7 V, High: 3 to 5 V DC

Interference emissions:

EN 55011 Class B, EN 61000-6-2 EN

61010 Section 1 (only AC versions)

Housing: dark grey RAL 7021

Operating temperature:

-10 to $+55$ °C

Ambient temperature:

-10 to $+60$ °C

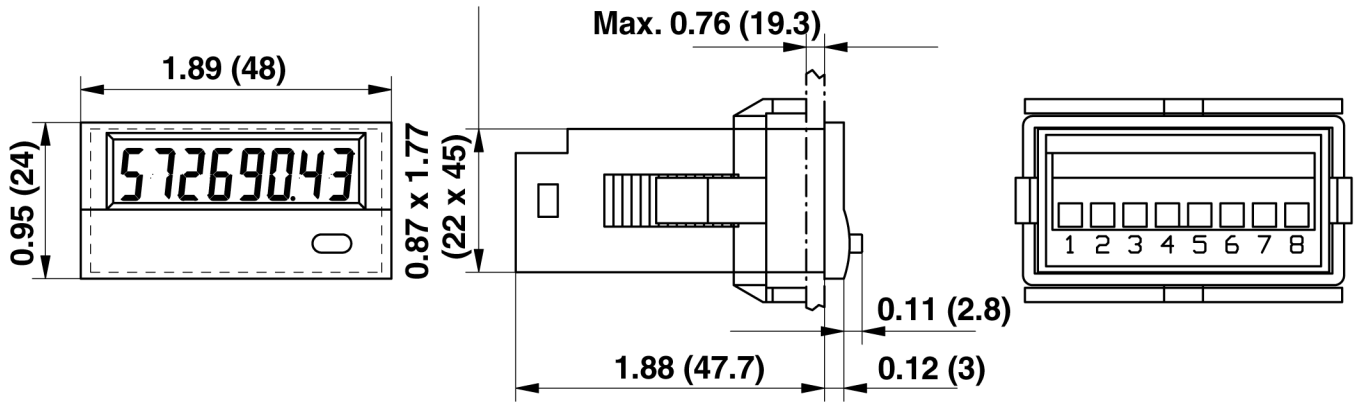
Storage temperature:

-20 to $+70$ °C

Protection: NEMA4/IP65 front

Weight: approximately 50 g

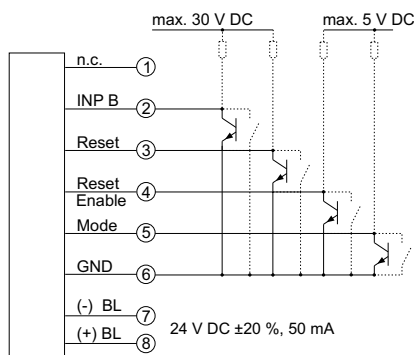
Dimensions:



Wiring

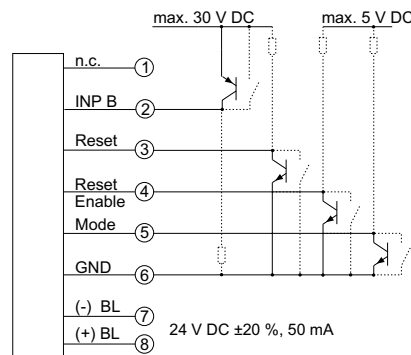
SINKING

DC type: 134K.012.8x0 / 135K.012.8x0



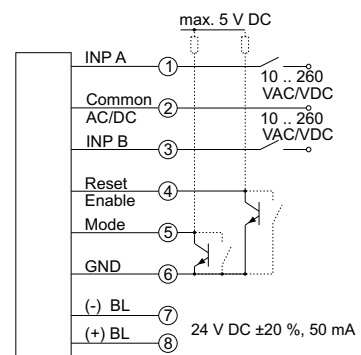
SOURCING

DC type: 134K.012.8x1 / 134K.012.8x1



HIGH VOLTAGE

AC/DC type: 134K.012.8x3 / 134K.012.8x3



BL = backlighting

Order Table

Type	Mode	Time range	Inputs			
			INP A		INP B	
134K.012.8x0	Timer	99999h 59 m/ 99999.99 h	—		0 ... 0,7 V DC	NPN
134K.012.8x1			—		4 ... 30 V DC	PNP
134K.012.8x3			10 ... 260 V AC/DC	AC/DC	10 ... 260 V AC/DC	AC/DC
135K.012.8x0	Timer	9999 h 59 m 59 s/ 9999999.9 s	—		0 ... 0,7 V DC	NPN
135K.012.8x1			—		4 ... 30 V DC	PNP
135K.012.8x3			10 ... 260 V AC/DC	AC/DC	10 ... 260 V AC/DC	AC/DC

X: 5 = no backlight
X: 6 = with backlight

Accessories

- N7** - Explosion proof housing (see accessories section)
- E200** - Outdoor Enclosure (see accessories section)
- 32DINRAIL** - DIN Rail Mounting Frame
- DR-4** - 4" DIN Rail