

115/230 Series

Cased Power Supply

Features:

- Screw Terminal Connections
- 250 mA of Regulated Power at 5 and 12 VDC
- 115/230 Volt 50/60 Hz Input
- Easily Mounted
- 5, 12 and 24 VDC Models

Power Supplies: 115-5, 115-12, 115-24, 230-24

Applications:

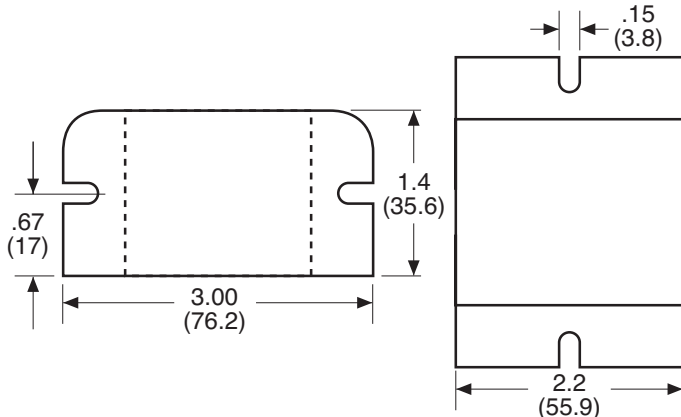
A compact supply to power various DC operated peripherals and inputs/output modules on PLC's, or transmitters in process control.

Description:

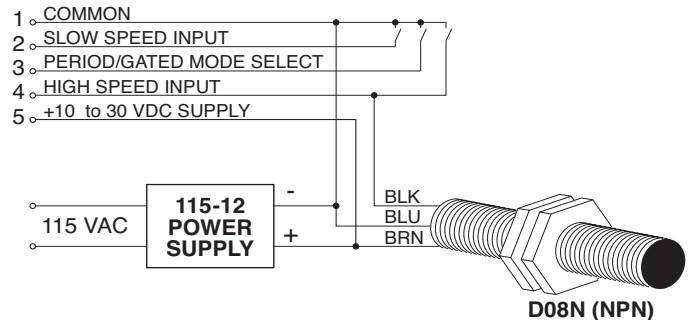
This module converts 115 VAC to DC. The 115-5 and 115-12 provide 250 mA of regulated DC for all of your 5VDC and 12VDC applications. Model 115-24 is available for all regulated 24VDC at 100mA applications.

Listing: CE Compliant

Mounting: (115 & AMP-1 Series)



Sample Hookup to KAL-D R/T



Ordering Information

Part Number

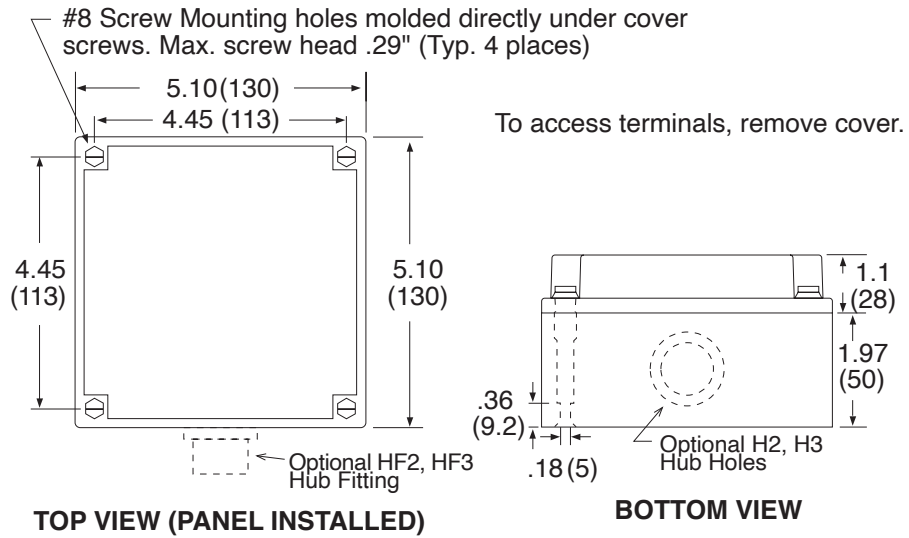
- 115-5** 115VAC to 5VDC for all 5 Volt applications
- 115-12** 115VAC to 12VDC for all 12 Volt applications
- 115-24** 115VAC to 24VDC for all 24 volt applications
- 230-24** 230VAC to 24VDC for all 24 volt applications

Options:

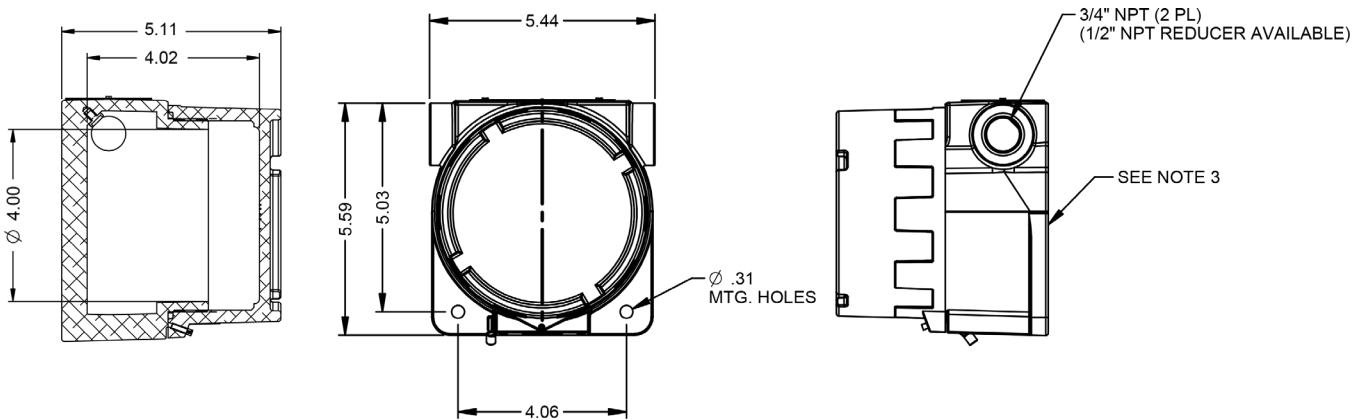
- E - Explosion Proof Housing (add E to end of part number)
- N4 - NEMA4X Enclosure (add N to end of part number)
- NEMA4X Options:
 - 2H2 - Two 0.875" Holes for Hub fittings
 - 2HF2 - Two 0.5" Female NPT Hub fittings

99644 08/05/2021

NEMA4X Mounting (N4 Option):



Explosion Proof Housing (E Option):



Kessler-Ellis Products

10 Industrial Way East
Eatontown, NJ 07724

800-631-2165

732-649-7100

www.kep.com