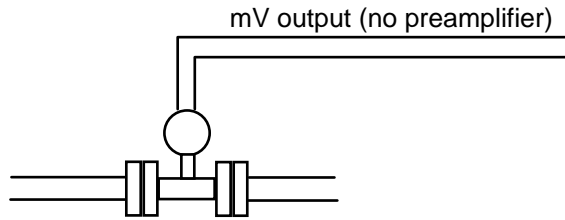




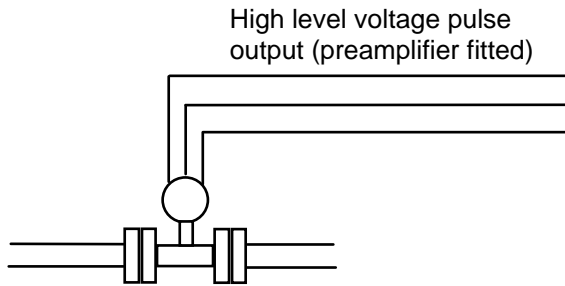
Kessler-Ellis Application Note F023

## Connection Options for Turbine Flow Meters

The following products can be used

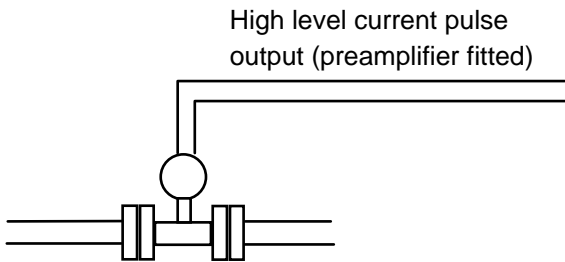


BAT R/T  
 MINItrol  
 MASSbatch  
 SUPERtrol I  
 SUPERtrol II



BAT R/T (with external power supply)  
 MINItrol  
 KEPtrol R/T  
 BATCHtrol II  
 MASSbatch  
 SUPERtrol I

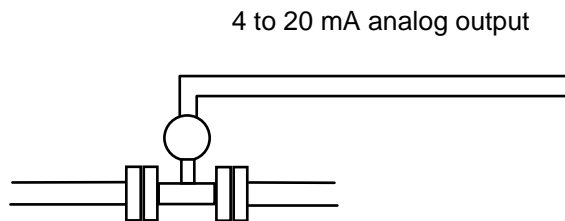
SUPERtrol II  
 MASStrol  
 KEPtrol F/C  
 FLOWtrol



**This configuration requires the addition of a resistor**

BAT R/T (with external power supply)  
 MINItrol (with external power supply)  
 KEPtrol R/T  
 BATCHtrol II  
 MASSbatch  
 SUPERtrol I

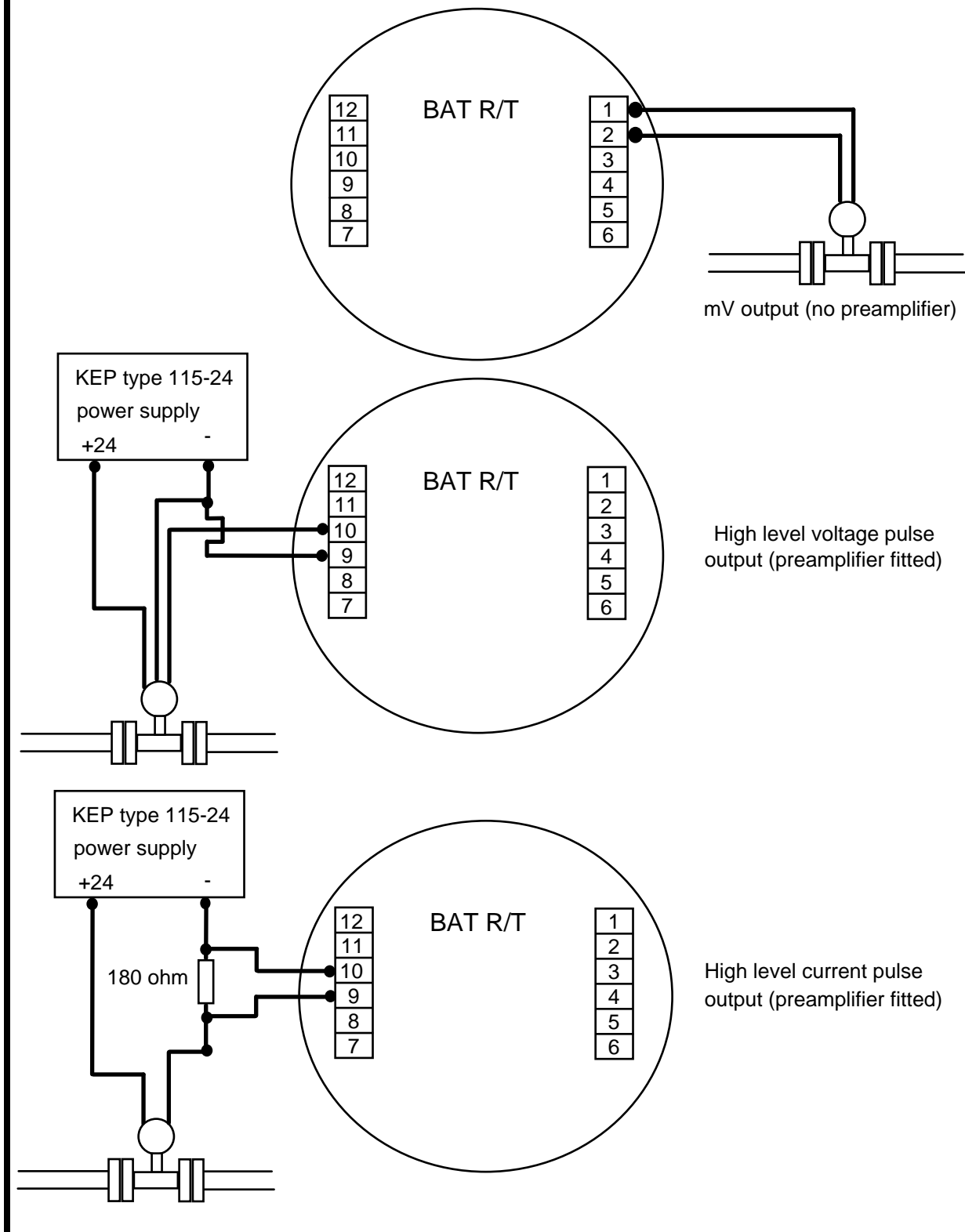
SUPERtrol II  
 MASStrol  
 KEPtrol F/C  
 FLOWtrol



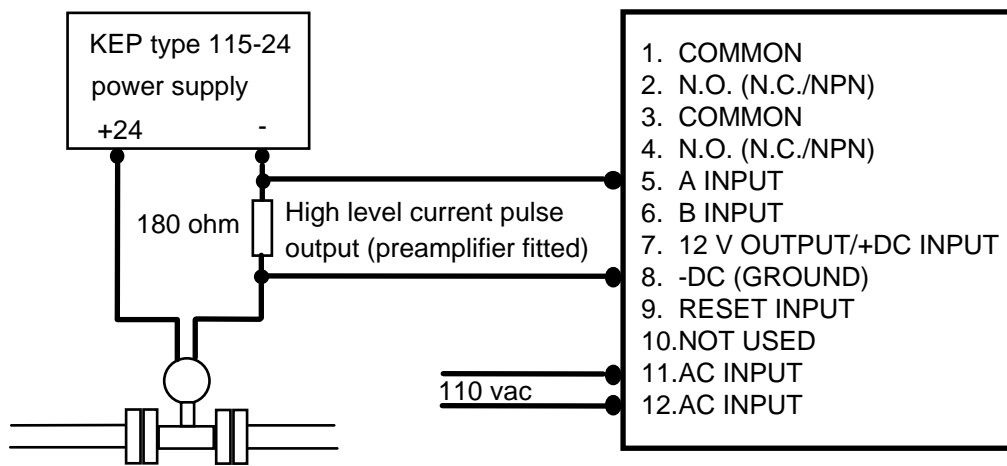
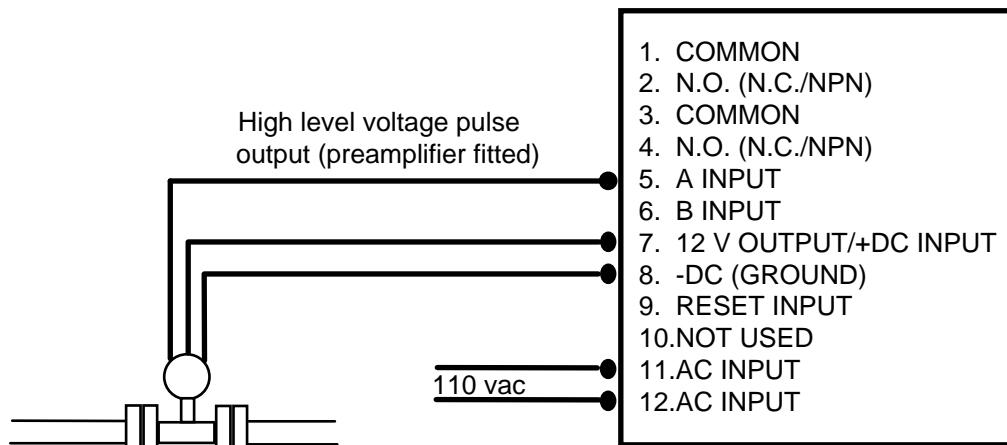
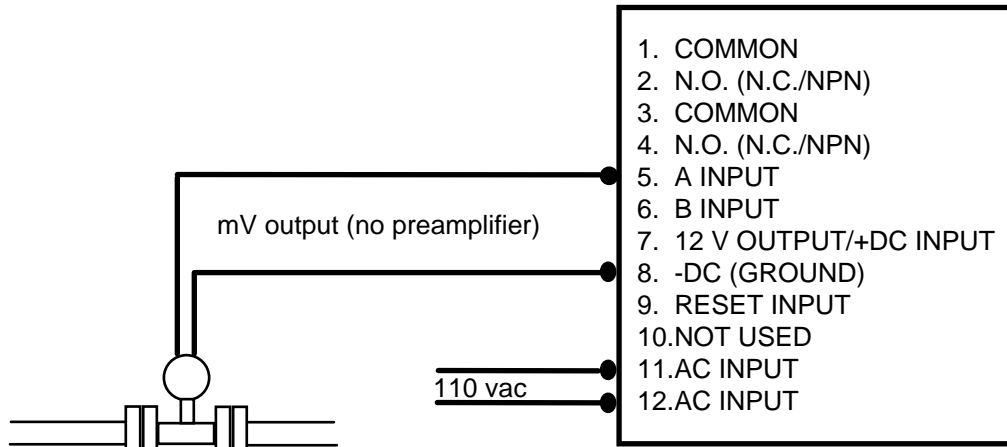
SQUIRT (with external power supply)  
 Intellect 69  
 KEPtrol R/T  
 BATCHtrol II  
 SUPERtrol I

SUPERtrol II  
 MASStrol  
 DPFC

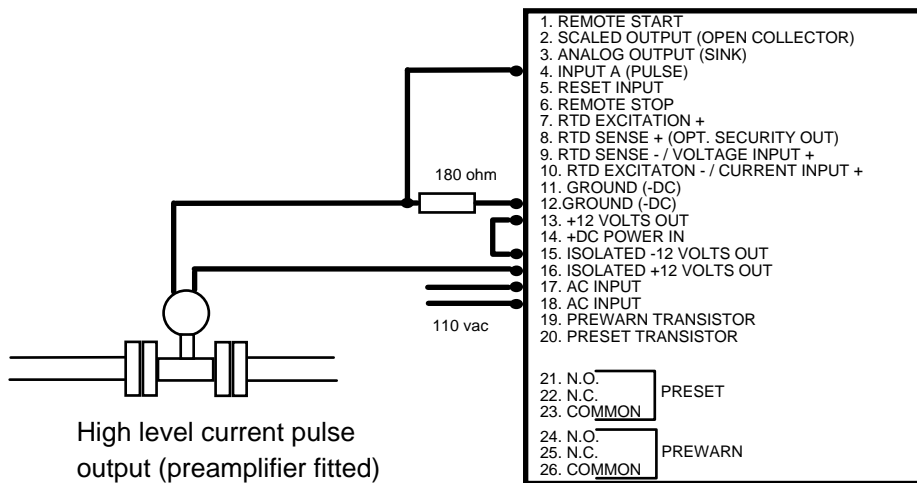
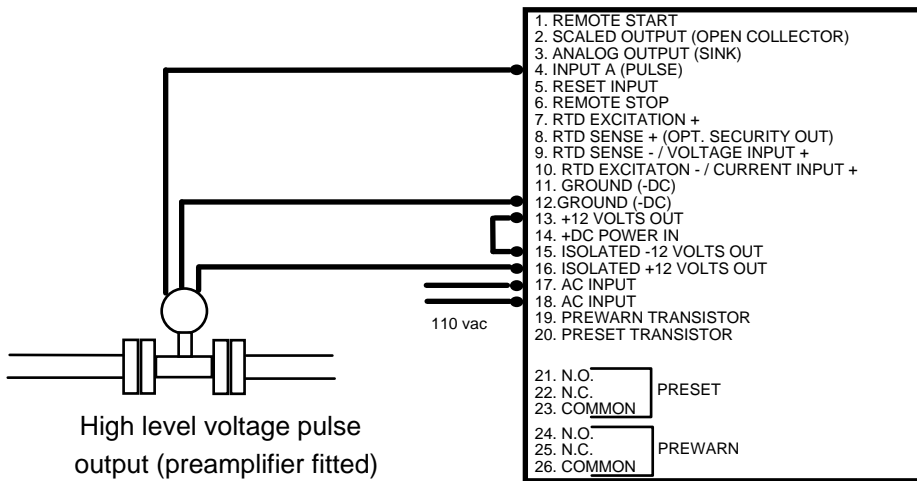
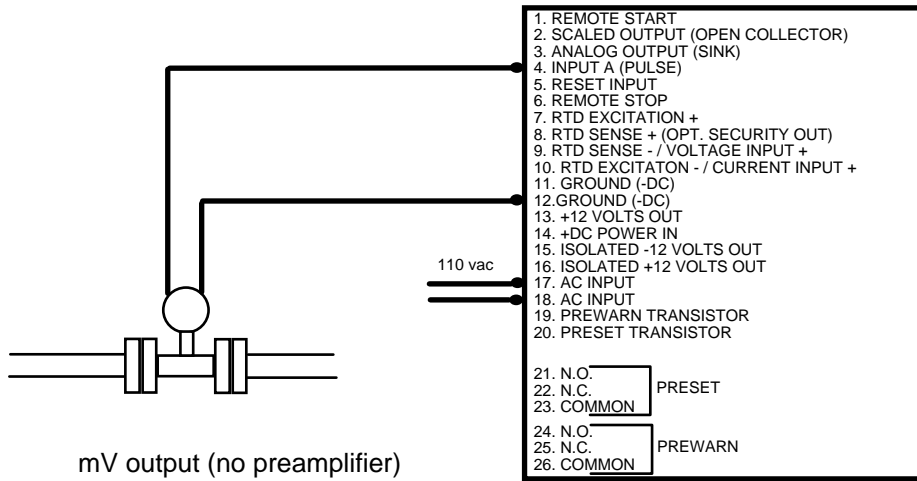
## BAT R/T Connections for Turbine Meters



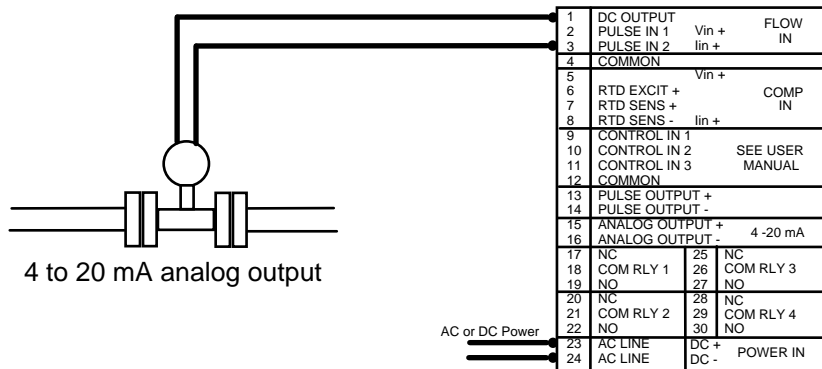
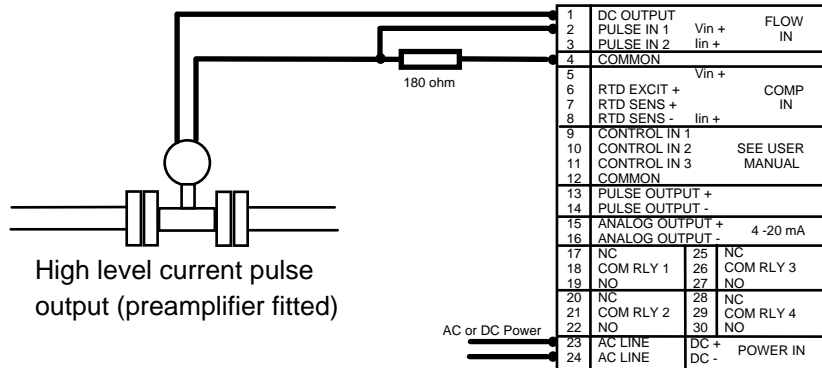
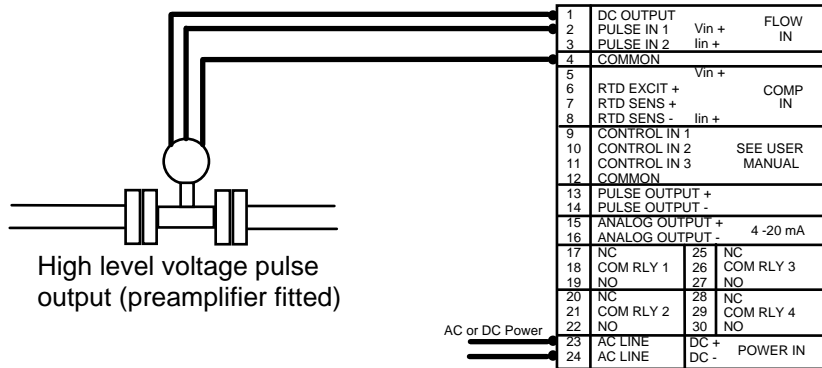
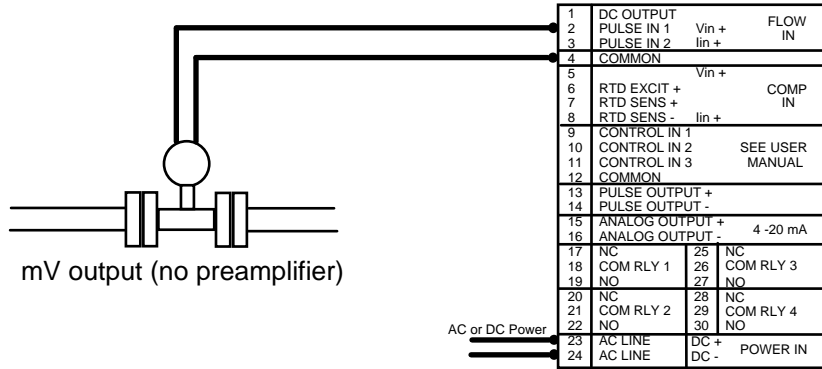
## MINItrol Connections for Turbine Meters



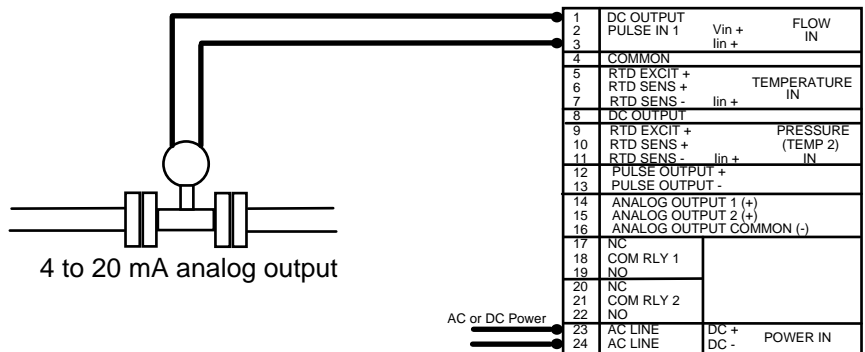
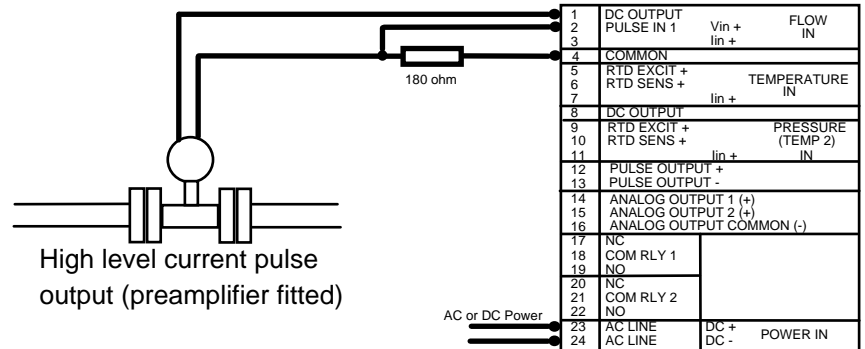
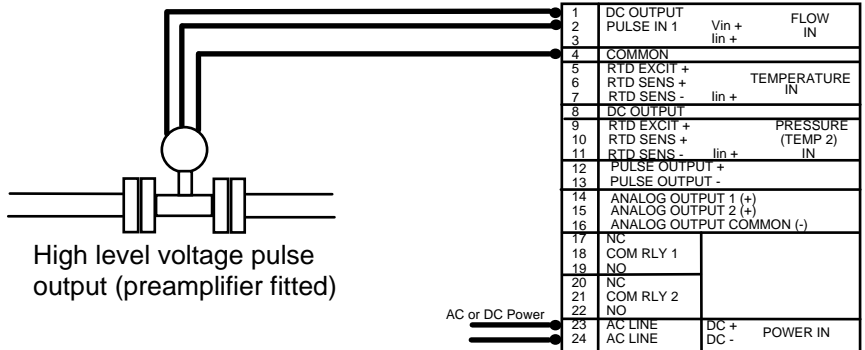
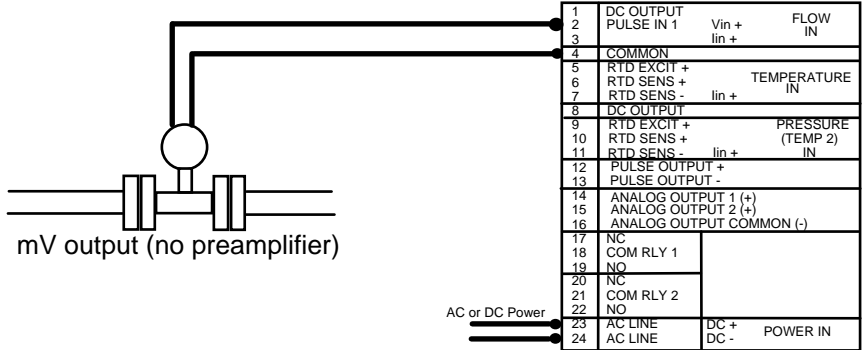
## MASSbatch Connections for Turbine Meters



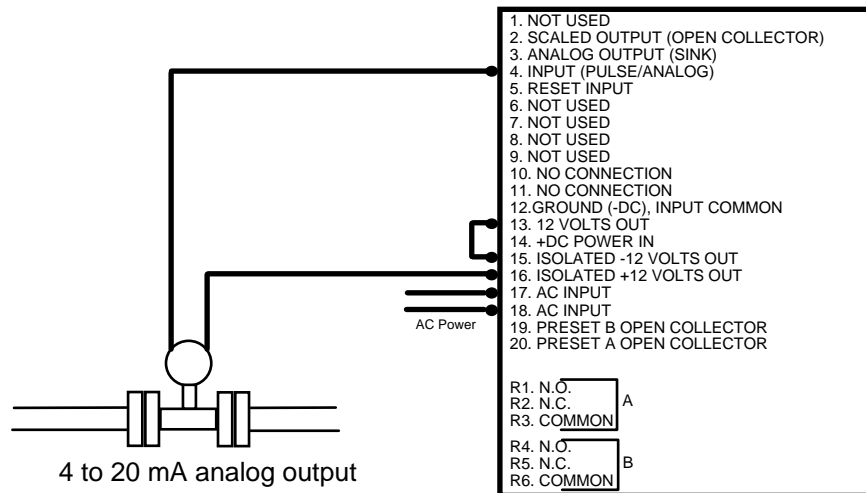
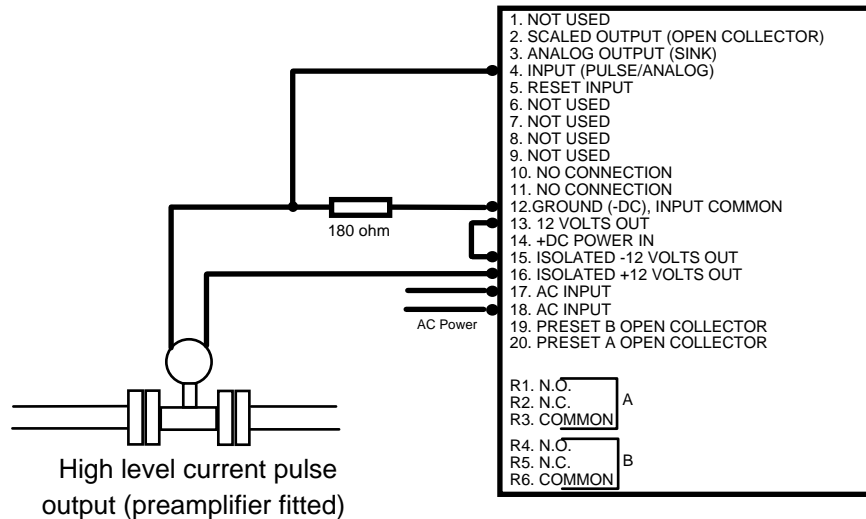
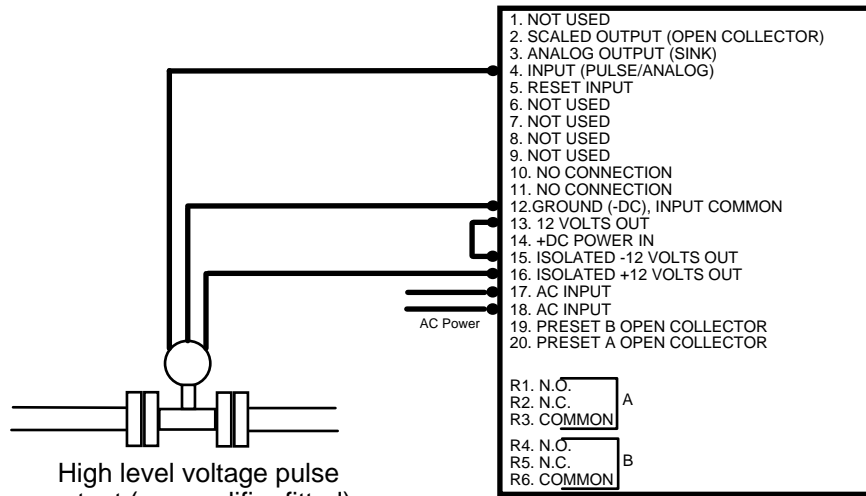
## SUPERtrol I Connections for Turbine Meters



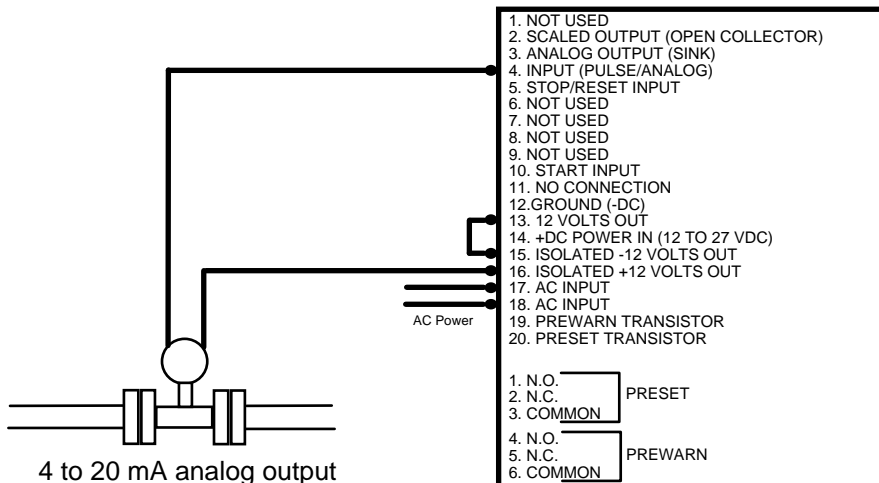
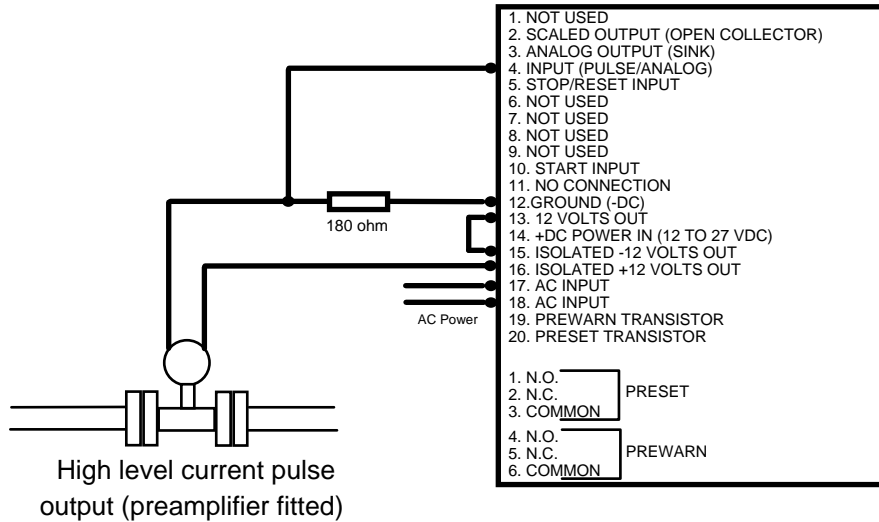
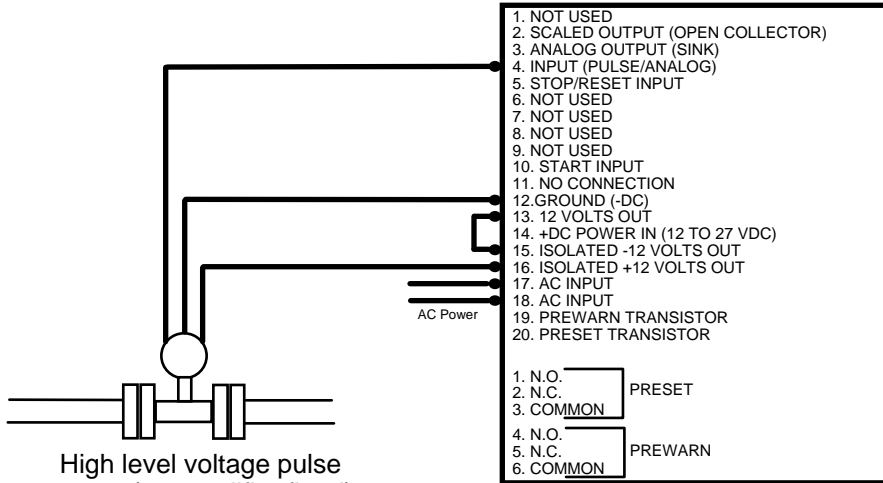
# SUPERtrol II Connections for Turbine Meters



## KEPtrol R/T Connections for Turbine Meters

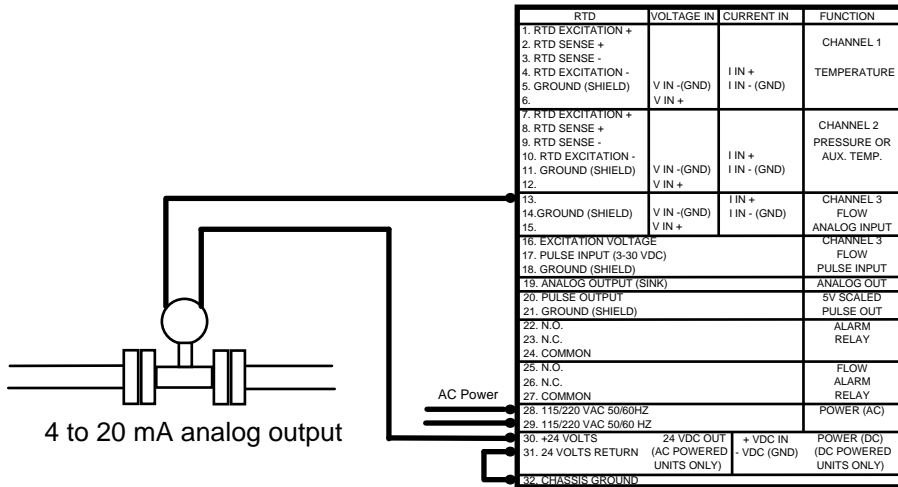
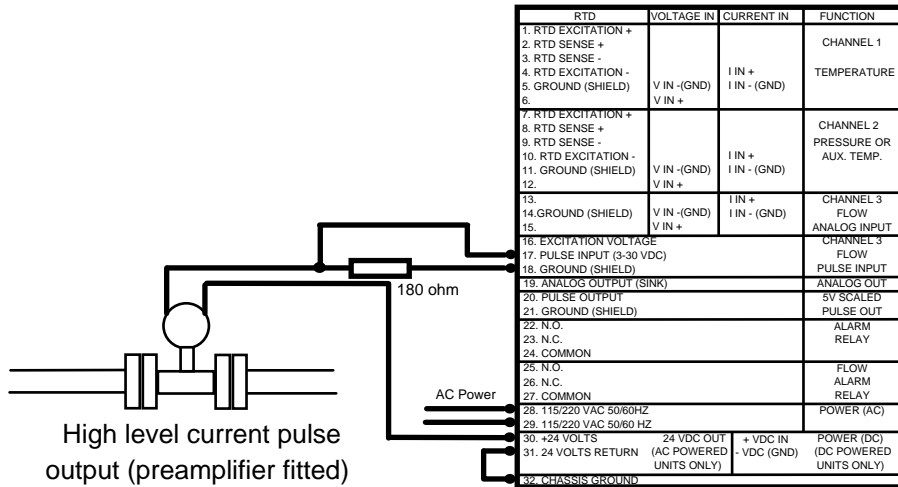
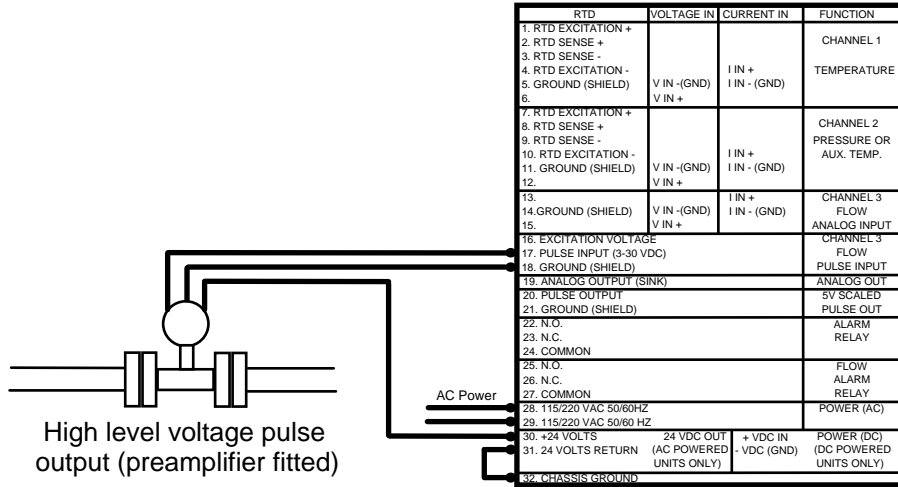


# BATCHtrol Connections for Turbine Meters

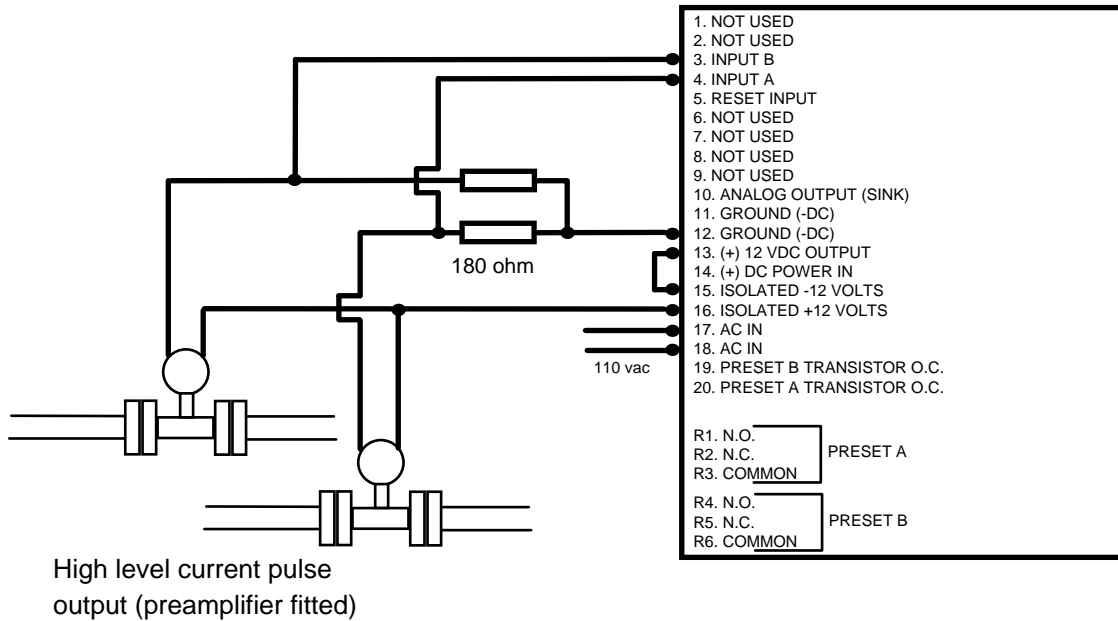
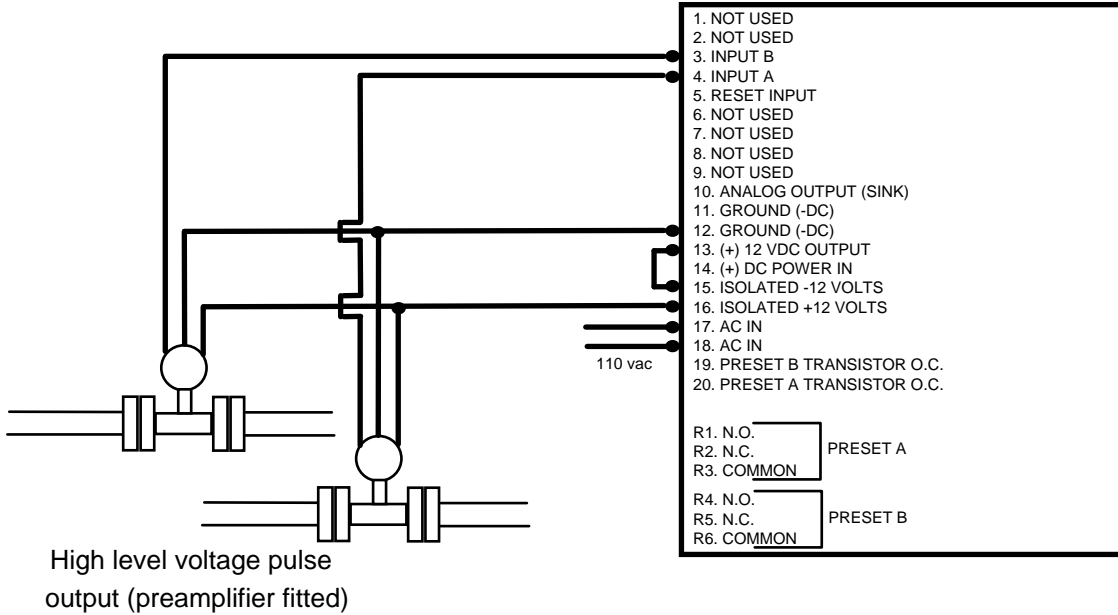




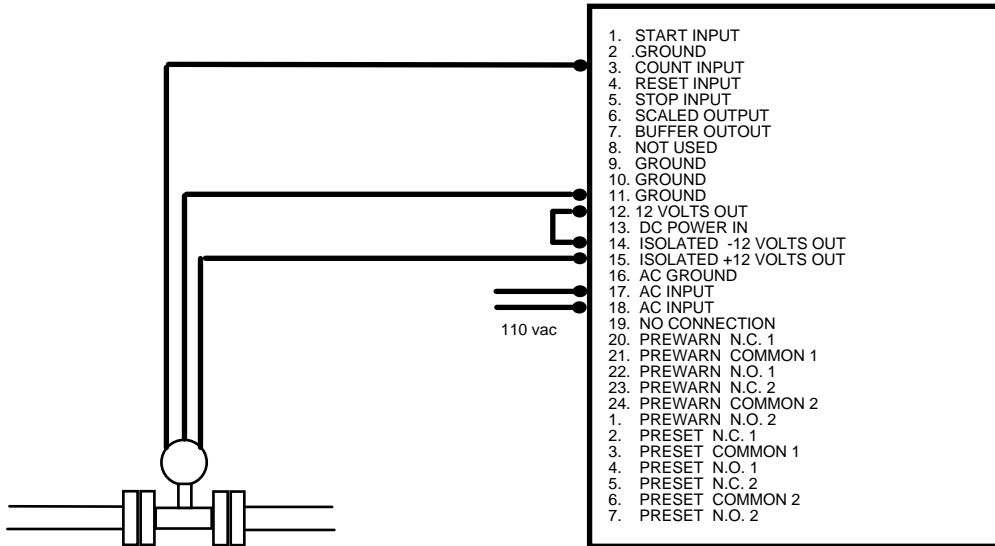
# MASStrol Connections for Turbine Meters



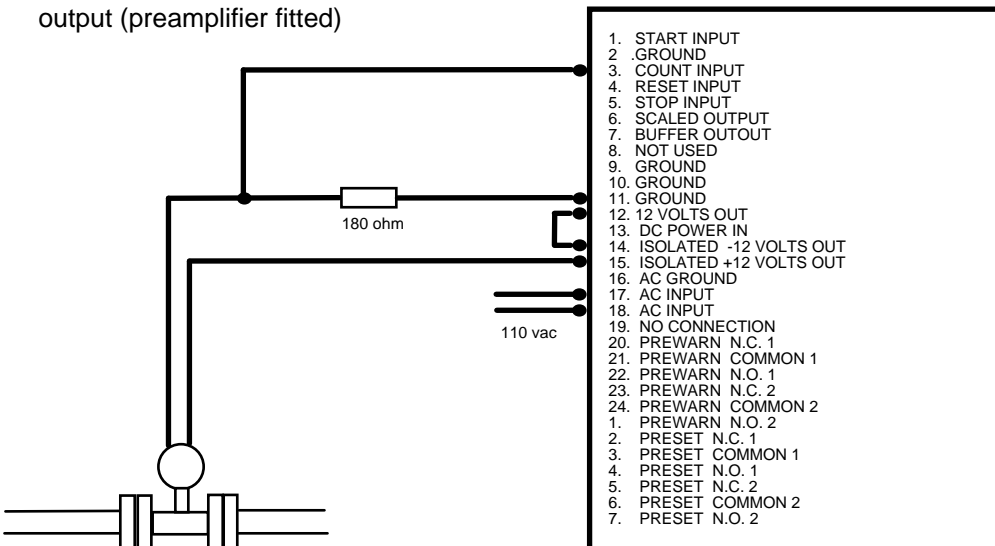
## KEPtrol F/C Connections for Turbine Meters



## FLOWtrol Connections for Turbine Meters

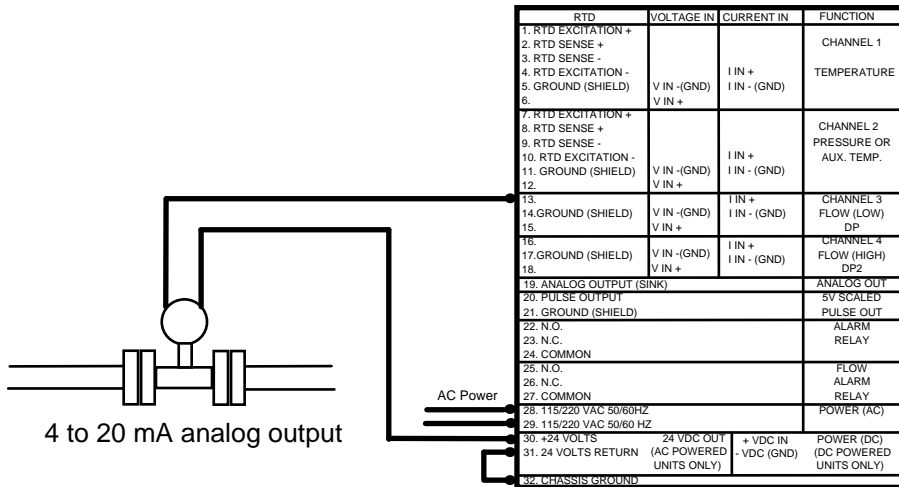


1. START INPUT
2. GROUND
3. COUNT INPUT
4. RESET INPUT
5. STOP INPUT
6. SCALED OUTPUT
7. BUFFER OUTOUT
8. NOT USED
9. GROUND
10. GROUND
11. GROUND
12. 12 VOLTS OUT
13. DC POWER IN
14. ISOLATED -12 VOLTS OUT
15. ISOLATED +12 VOLTS OUT
16. AC GROUND
17. AC INPUT
18. AC INPUT
19. NO CONNECTION
20. PREWARN N.C. 1
21. PREWARN COMMON 1
22. PREWARN N.O. 1
23. PREWARN N.C. 2
24. PREWARN COMMON 2
1. PREWARN N.O. 2
2. PRESET N.C. 1
3. PRESET COMMON 1
4. PRESET N.O. 1
5. PRESET N.C. 2
6. PRESET COMMON 2
7. PRESET N.O. 2



1. START INPUT
2. GROUND
3. COUNT INPUT
4. RESET INPUT
5. STOP INPUT
6. SCALED OUTPUT
7. BUFFER OUTOUT
8. NOT USED
9. GROUND
10. GROUND
11. GROUND
12. 12 VOLTS OUT
13. DC POWER IN
14. ISOLATED -12 VOLTS OUT
15. ISOLATED +12 VOLTS OUT
16. AC GROUND
17. AC INPUT
18. AC INPUT
19. NO CONNECTION
20. PREWARN N.C. 1
21. PREWARN COMMON 1
22. PREWARN N.O. 1
23. PREWARN N.C. 2
24. PREWARN COMMON 2
1. PREWARN N.O. 2
2. PRESET N.C. 1
3. PRESET COMMON 1
4. PRESET N.O. 1
5. PRESET N.C. 2
6. PRESET COMMON 2
7. PRESET N.O. 2

## DPFC Connections for Turbine Meters



## SQUIRT Connections for Turbine Flow Meters

