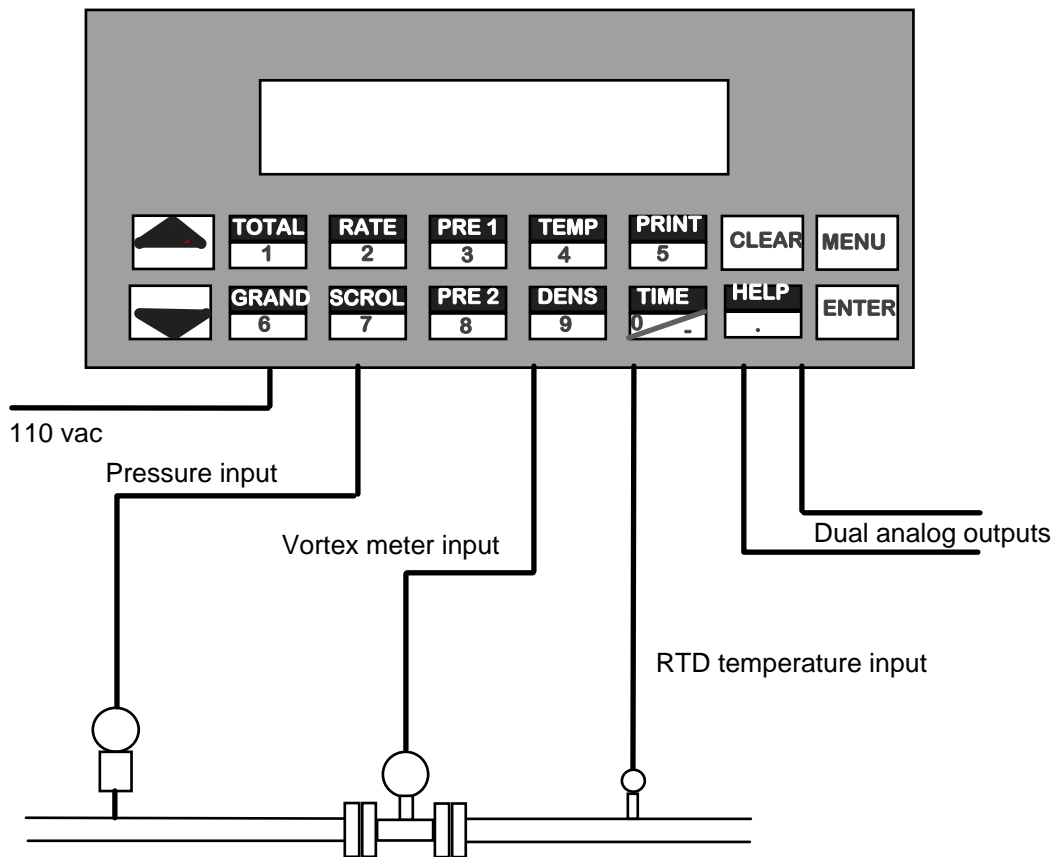




Kessler-Ellis Application Note F019

SUPERtrol II Monitoring Compressed Air Flow, Displaying the Compensated Volumetric Flow and Giving Two Analog Outputs



The SUPERtrol II utilizes the pressure and temperature signals, as well as user input data, to compute the density of the flowing compressed air. The SUPERtrol II then performs a calculation which is referenced to standard conditions. The result of the calculation is displayed in SCFM or NM^3 per hour and totalised in SCF or NM^3 .

The SUPERtrol II can provide displays of mass flow, heat flow, mass total, heat total, pressure, temperature, specific volume and specific enthalpy.

Pulse, mA, relay, RS232 and RS485 outputs are provided as well as a 24 vdc 100 mA power supply for powering all process transmitters.

Application Terminal Connections

