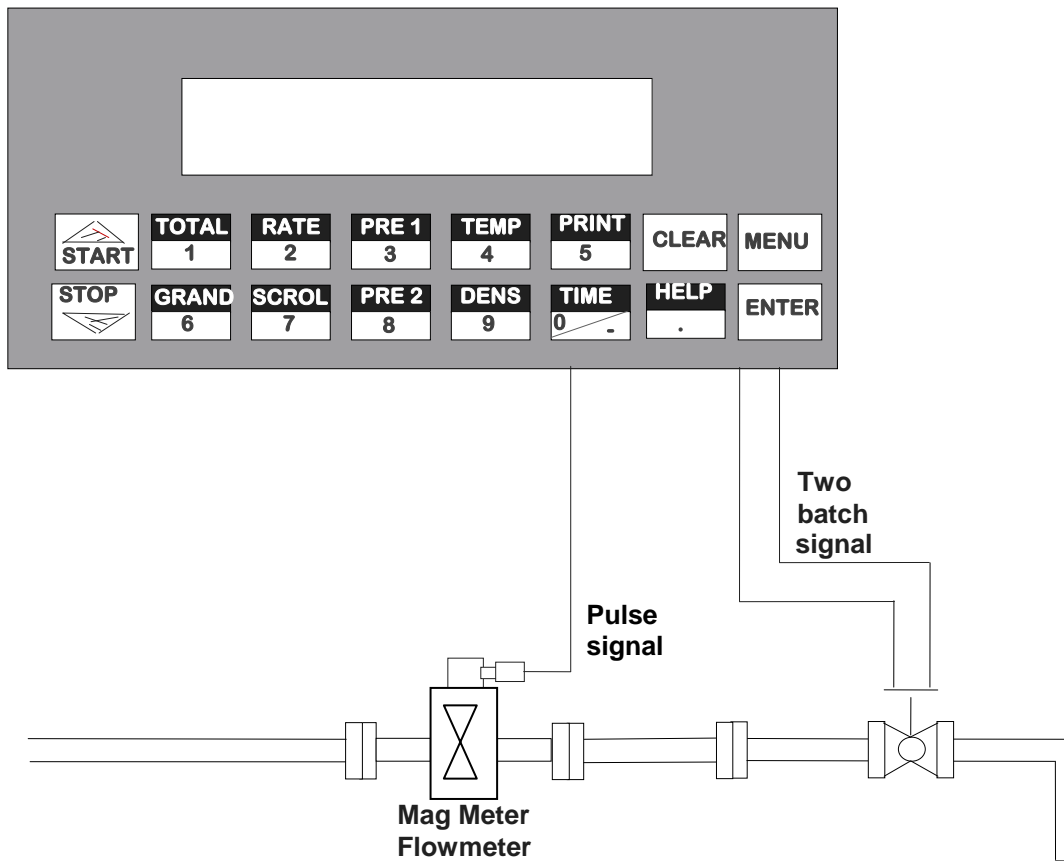




Kessler-Ellis Application Note F017

SUPERtrol-1LE Performing Two stage Volumetric Batching of De-Ionized Water with a Mag Meter



The SUPERtrol-1LE has the ability to perform in custody transfer applications. It uses an internal register to keep an audit trail of the number of instrument set up changes.

The SUPERtrol-1LE has built in printing and logging functions. It can print data to a serial printer or be interrogated via a dial up modem connection.

A Windows™ based setup program is supplied with the instrument.

Application Terminal connections

